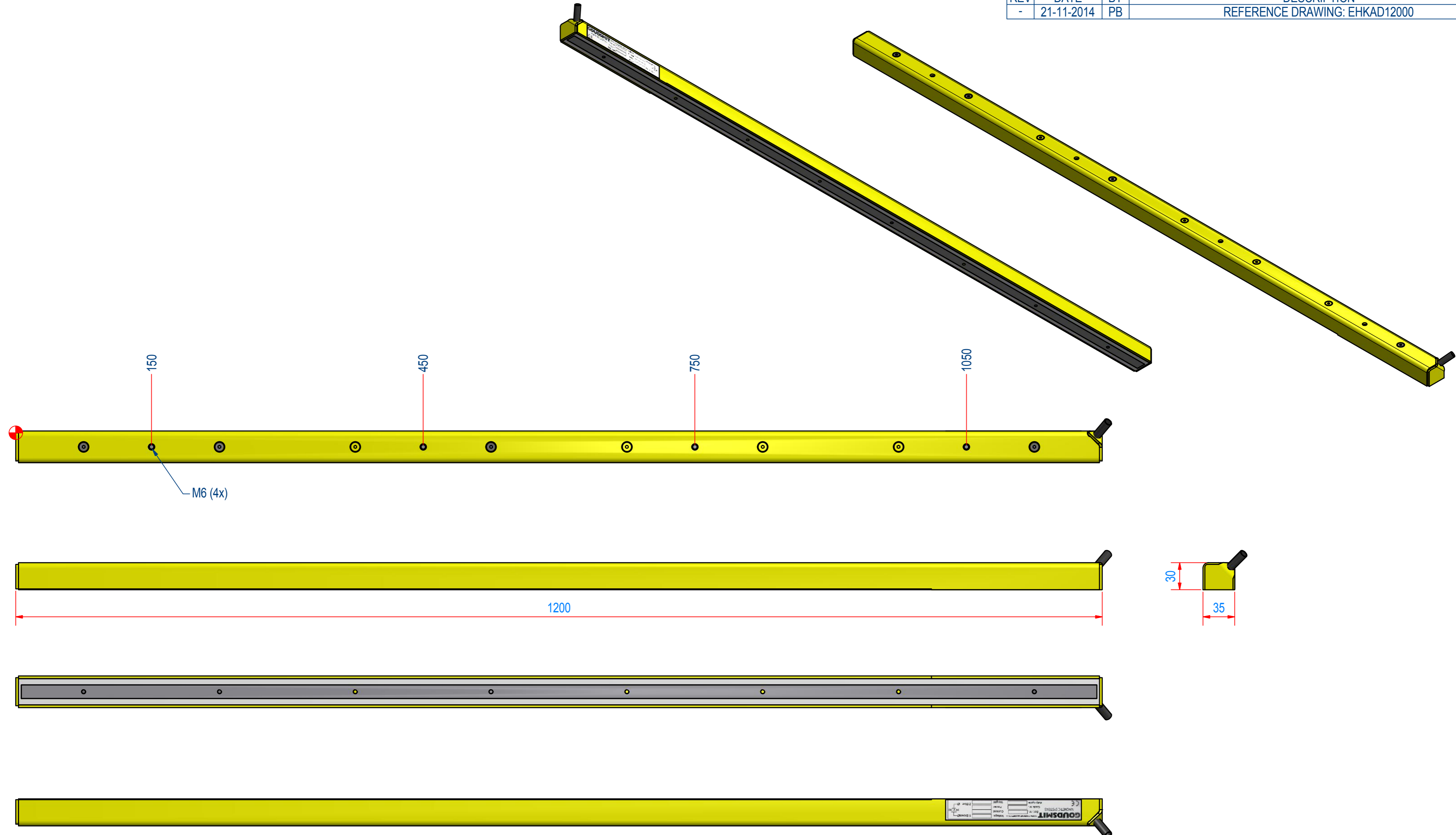
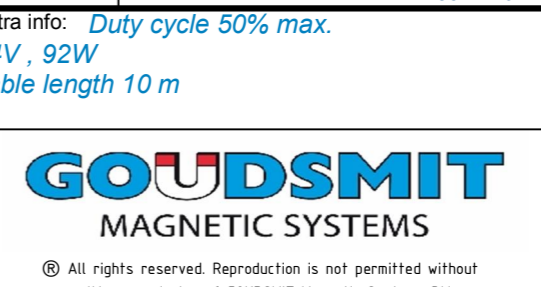


REV	DATE	BY	DESCRIPTION
-	21-11-2014	PB	REFERENCE DRAWING: EHKAD12000



ITEM	QTY	PART NUMBER	DESCRIPTION	Dimensions
2	1	M59957	STICKER ELECTRO ROD	
1	1	E0025042	ELECTRO ROD ASSY D L=1200	
RAW MAT.	1			
Sheet: A2		Extra info: Duty cycle 50% max.		General tolerance: ISO 2768- mK
Drawn: PB		Weight (kg): 10,4		Drawn according: ISO268; ISO1101; ISO2553
Date: 21-11-2014		Status: Released		Customer reference number:
Spare part: False		Quick search: EHKAD12000		File number: E0025044
Description: HEB-035x30-1200-GC		Part number: E0025041		Rev: -



© All rights reserved. Reproduction is not permitted without written permission of GOUDSMIT Magnetic Systems BV