

Author: G. REZOHIER Date of the revision 2023-01-26: Documentary update (Essay)

RANGE: Double inlet centrifugal fans with three phases motor

OEP LF08G Test LR53Qb Customer
Winding Y23 Reference

Drawing of the product BIS_F08-A6_I=i.pdf Designation **2GDSt35 133x190R**



ELECTRICAL DATA

Speed	SGV	SGV	SGV	SGV	Speed
Tension (V)	400	480	208	240	Tension (V)
Frequency (Hz)	60	60	50	50	Frequency (Hz)
Current (A)	0.23	0.24	0.36	0.40	Current (A)
Maximum current (A)	0.26	0.29	0.40	0.44	Maximum current (A)
Power (W)	154	192	126	156	Power
Maximum power (W)	157	210	126	156	Maximum power (W)
Rotation (RPM)	1405	1835	1285	1435	Rotation (RPM)
Cos Φ	0.966	0.962	0.972	0.938	Cos Φ
Temperature min/max (°C)	-40/+50	-40/+50	-40/+50	-40/+50	Temperature min/max (°C)
Comments	Z-I en dessous de à 30Pa	Z-I en dessous de à 100Pa	Triangle Free air flow	triangle free airflow	Comments

Winding temperature cold (Temperature at 20°C, tolerances 7%)

1	2	3
218.0 Ohm	237.0 Ohm	259.0 Ohm

Temperature variation (110% of the voltage)

F (Hz)	Average elevation (°K)	Speed
60 Hz	76 °K	SGV
60 Hz	78 °K	SGV
50 Hz	61 °K	SGV
50 Hz	70 °K	SGV

Dielectric strength 2000 V 60 seconds

Direction of rotation CW

MARKING & STANDARDS

Conformity

- CE
- UKCA



The product is manufactured in accordance with EN 60335-1, and RoHS directive 2015/863/CE
IP class according to EN 60034-5 to be checked with operation and installation

Réf. EV EC 025 - Revision c
Old DT EN - Page 1 / 4

Issued: 2023-01-26 at 11:26

Author: G. REZOHIER

Date of the revision 2023-01-26: Documentary update (Essay)

TECHNICAL DATA

Description

- Weight: 3.96 kg
- Without Condensat Drain Holes
- Class F
- Protection level: 55 | Protection against ingress of dust / Protection against ingress of water : jetting
- Motor's protection TK150°C with 2 external leads
- Bearing type: 2 ball bearings 608ZZ
- Balance level: G2.5

Special features

- Wiring : Star / triangle wiring with thermostat

Limiting conditions of operation

- 480V 60Hz Z I below at 100 Pa
- 400V 60Hz Z I below 30 Pa
- Black-Orange : 218 Ohms
- Brown-Red : 237 Ohms
- Blue-Grey : 259 Ohms

ADDITIONAL DATA

Documentations

- Operating and recycling manual
<http://www.ecofit.com/anglais/normes>

Measurement setup

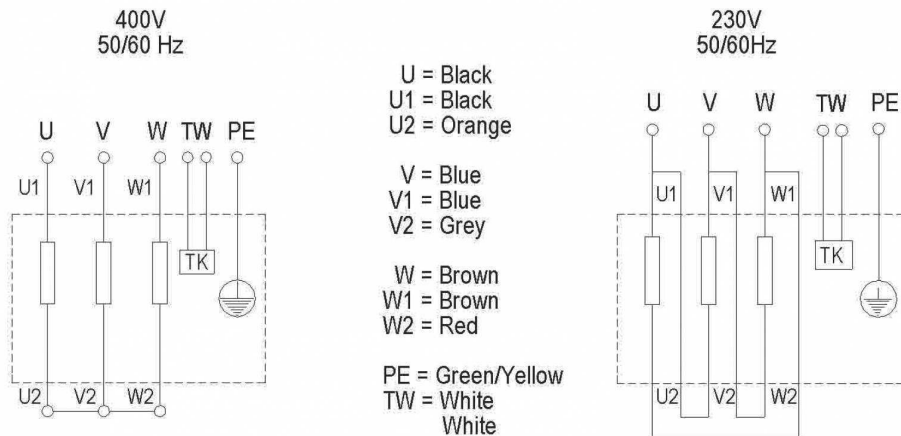
- Scroll 15109-c VOL VRD215

Author: G. REZOHIER

Date of the revision 2023-01-26: Documentary update (Essay)

CONNECTORS

Wiring diagram



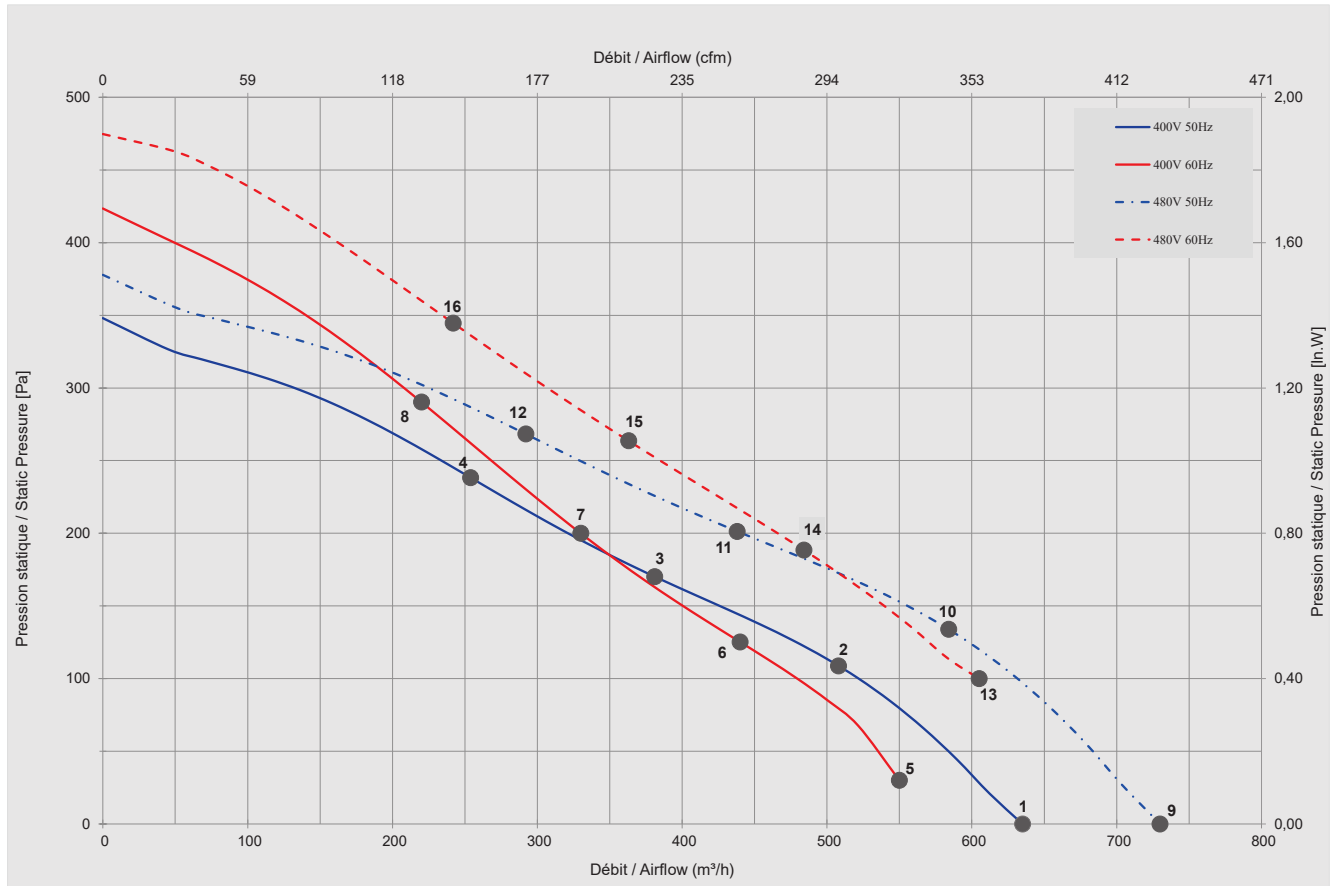
ERP DATA

ErP Directive ErP (EU 2009/125/EC) not applicable:

- Power at optimum energy efficiency point <125W

Author: G. REZOHIER Date of the revision 2023-01-26: Documentary update (Essay)

TECHNICAL DATA



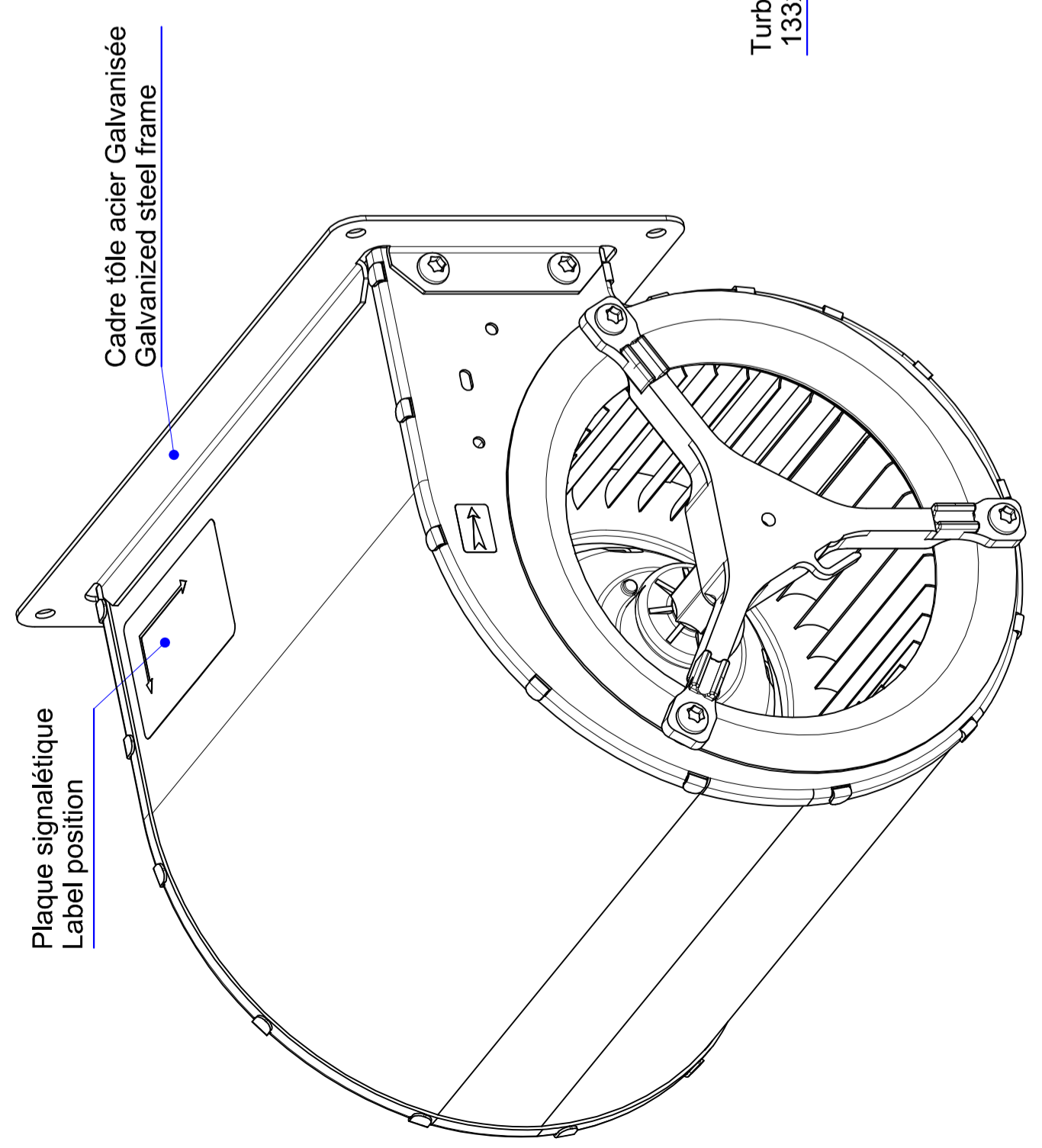
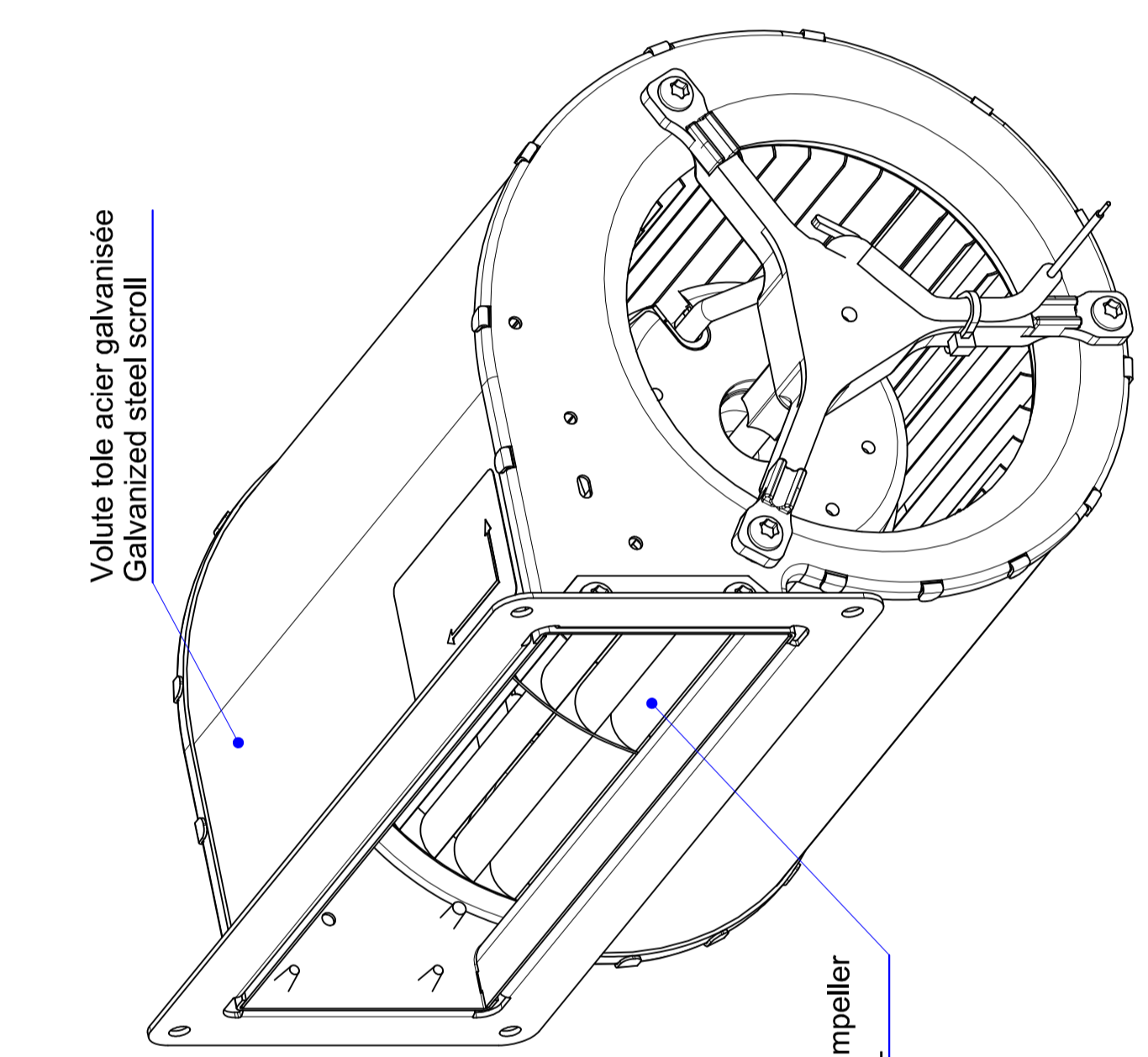
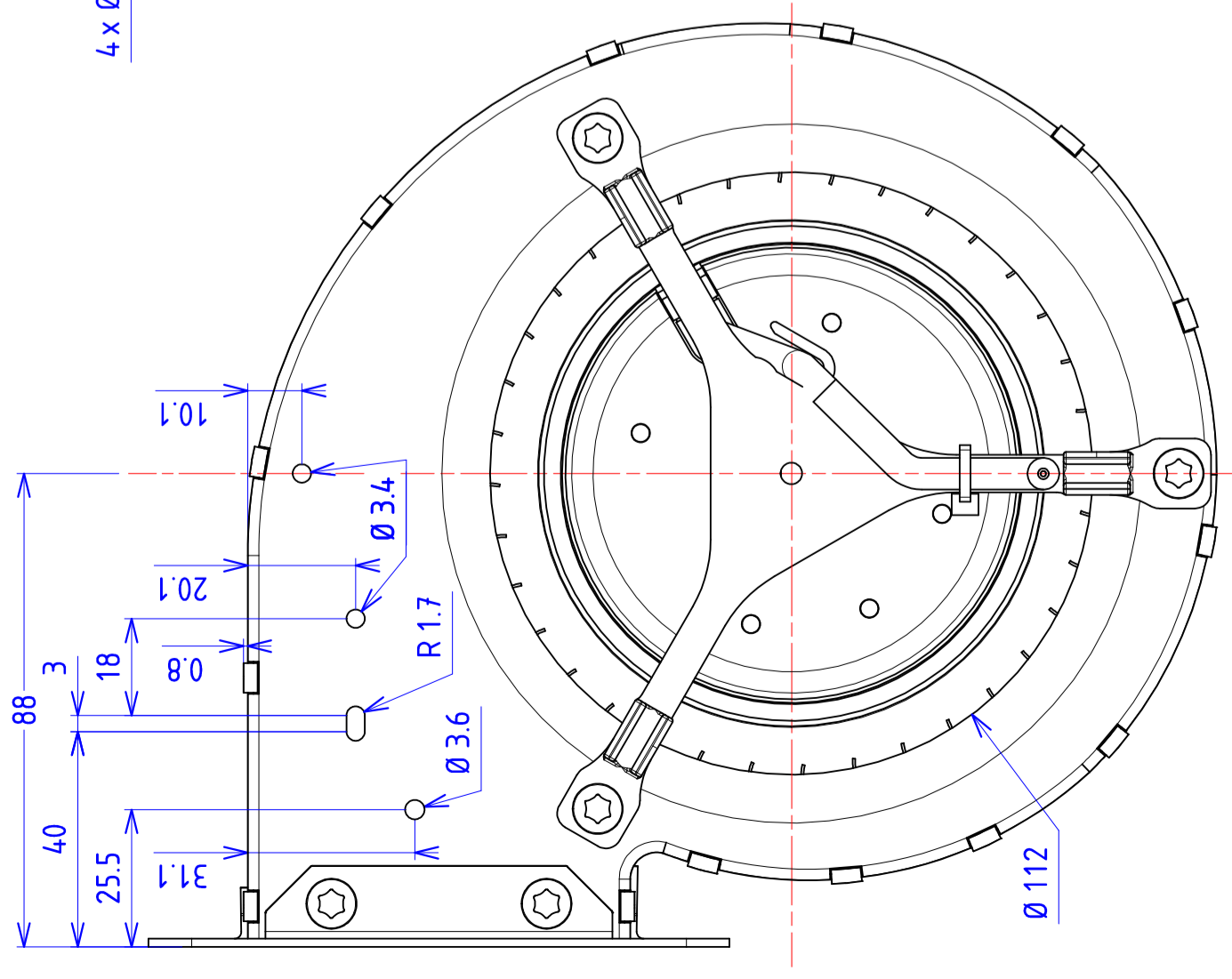
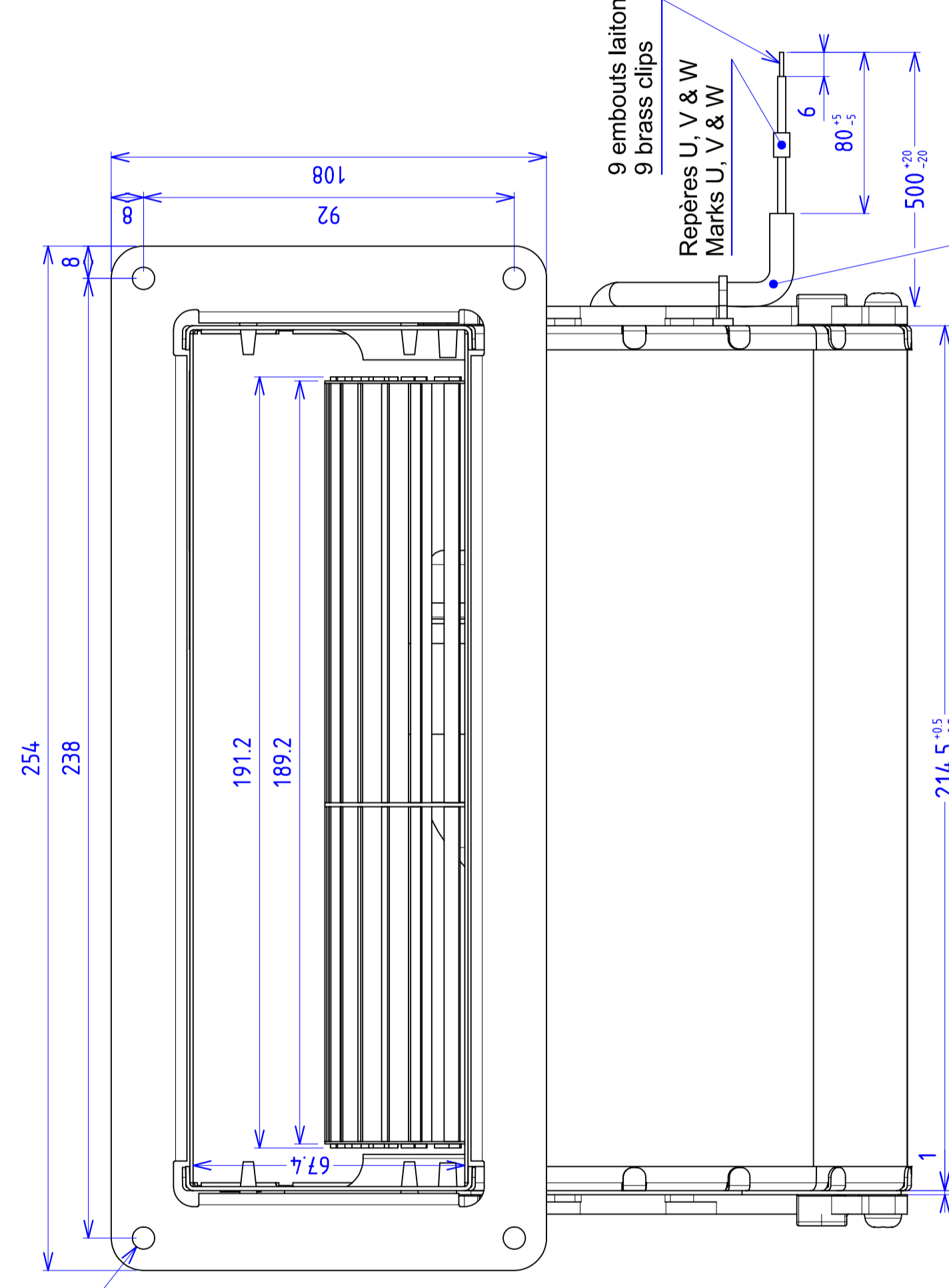
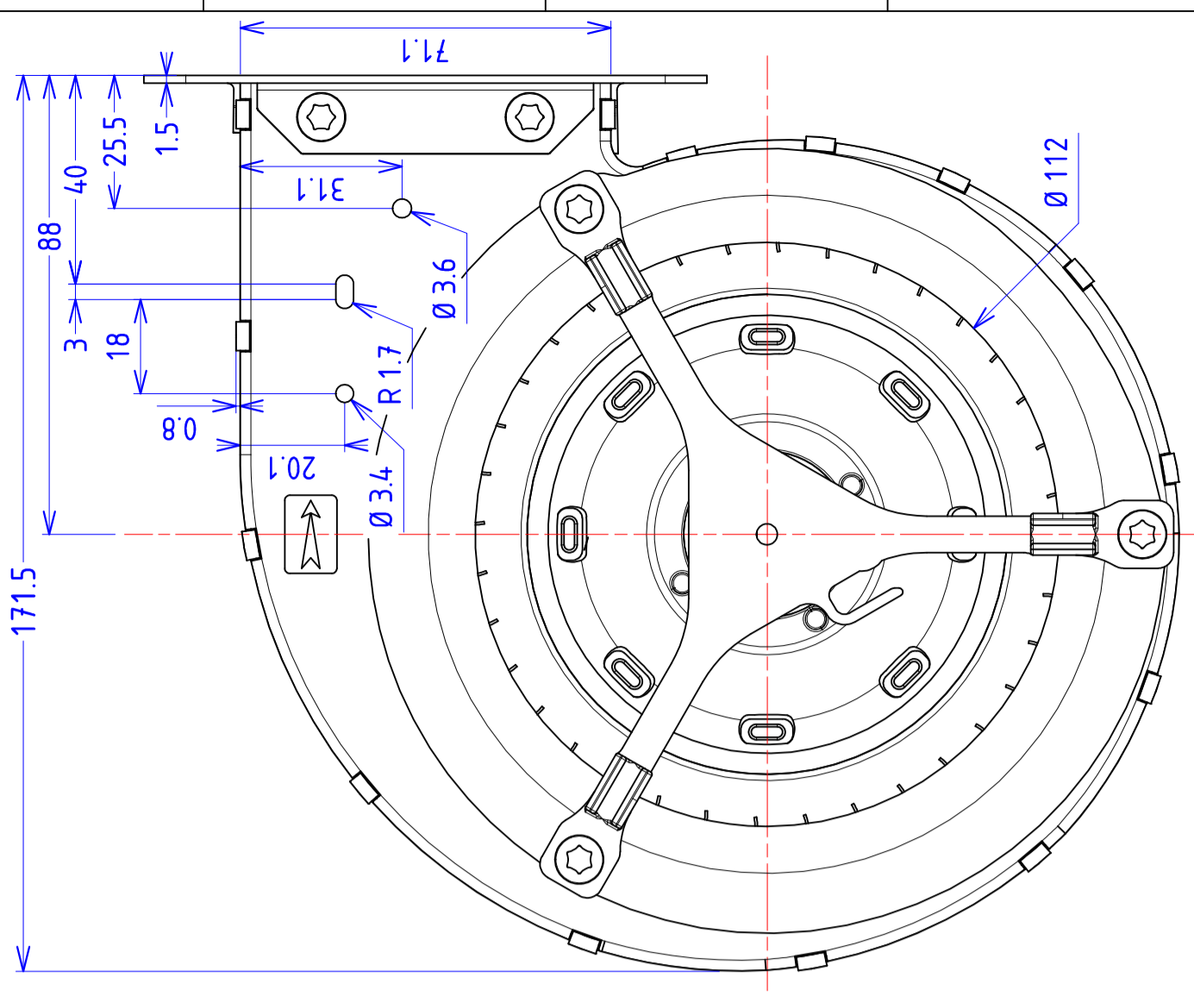
Mesures / Measured Values*

	Un (V)	C (µF)	F (Hz)	P (W)	n (RPM)	Q (m³/h)	P (Pa)	Q (cfm)	P (In.W)
1	400	0	50	147	1400	635	0	374	0,000
2	400	0	50	125	1793	508	109	299	0,436
3	400	0	50	104	2054	381	170	224	0,682
4	400	0	50	83	2316	254	238	150	0,954
5	400	0	60	154	1405	550	30	324	0,120
6	400	0	60	135	1864	440	125	259	0,502
7	400	0	60	121	2160	330	200	194	0,801
8	400	0	60	98	2533	220	290	129	1,163
9	480	0	50	191	1610	730	0	430	0,000
10	480	0	50	155	2001	584	134	344	0,537
11	480	0	50	129	2241	438	201	258	0,807
12	480	0	50	100	2458	292	268	172	1,075
13	480	0	60	192	1835	605	100	356	0,401
14	480	0	60	169	2184	484	189	285	0,755
15	480	0	60	145	2474	363	264	214	1,056
16	480	0	60	117	2761	242	345	142	1,380

* Air performance measured according to: ISO 5801, installation category C. Intake-side sound level: according to ISO 3744, LpA measured at 1 m distance from fan axis. The values given are only applicable under the specified measuring conditions and may differ depending on the installation conditions. In the event of deviation

The product is manufactured in accordance with EN 60335-1, and RoHS directive 2015/863/CE IP class according to EN 60034-5 to be checked with operation and installation

Réf. EV EC 025 - Revision c Old DT EN - Page 4 / 4



INDICE	DATE	LIBELLÉ	AUTEUR
i	17/03/2022	Update drawing & technical data, Galvanized scroll instead of black painted scroll	PT
h	12/12/2017	Passage en volute version agrafée	rd
g	13/09/2017	Changement moule rotor	rd
f	10/09/2013	Fiche technique conforme à la directive ErP	sw

Ech./scale 0.800 Format : A2	Folio : 1/1	Drawing by : RD 02/06/2006	Verify by : pt	Fiche technique / Data sheet EV.EC.025	General Tolerances : ±1mm
---------------------------------------	----------------	-------------------------------	----------------	---	---------------------------

DOUBLE INLET CENTRIFUGAL FAN
MOTO VENTILATEUR
2GDS135-133x190R

ECO FIT
ECO FIT & ETRI PRODUCTS

N° F08-A6

Indice : 1

TopSolid 6

THIS DOCUMENT IS THE PROPERTY OF ECOFIT. IT CANNOT BE REPRODUCED OR COMMUNICATED WITHOUT ITS WRITTEN AUTHORIZATION.