

ELESA Original design DD52R

2 Installation (front view)

- AN** Counter above on the chamfer
- AR** Counter below on the chamfer
- FN** Counter above in front
- FR** Counter below in front

3 Type

- R** Numbers ascending clockwise
- L** Numbers ascending anti-clockwise



1 Counter

| Counter | Indication after one spindle revolution | corresponds to thread pitch | max. revolutions per minute |
|----------|---|-----------------------------|-----------------------------|
| 000.50 | 00050 | 0,5 | 500 |
| 001.00 | 00100 | 1 | 250 |
| 0001.0 | 00010 | 1 | 1500 |
| 0002.0 | 00020 | 2 | 1250 |
| 0002.5 | 00025 | 2,5 | 1000 |
| 0003.0 | 00030 | 3 | 830 |
| 0004.0 * | 00040 | 4 | 625 |
| 0005.0 | 00050 | 5 | 500 |
| 0006.0 | 00060 | 6 | 415 |
| 0010.0 | 00100 | 10 | 250 |

* usable for linear actuators type GN 291 Ø 40 and Ø 50

Specification

- Housing
 - Plastic (Polyamide PA)
 - orange, RAL 2004
 - gray, RAL 7035
 - temperature resistant up to 80 °C
 - oil and solvent resistant
- Numbers white, number wheels for integers black, for decimal numbers red with additionally scale
- Hollow shaft, steel, blackened
- ISO-Fundamental tolerances → Page 1479
- Stainless Steel characteristics → Page 1489
- RoHS



On request

- with Stainless Steel-Hollow shaft
- other counters

Information

Position indicators GN 953 have a direct coupled drive with digital indication.

The two body parts are ultra-sonically welded, thus the housing is particularly sturdy and compact.

The foam rubber seal prevents the transmission of vibration to the counter mechanism and also has sealing properties.

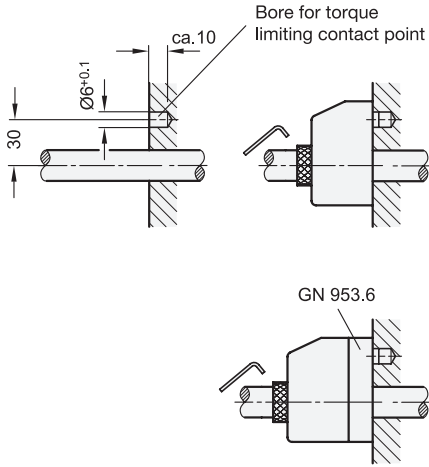
The numbers are easily legible and they are even enlarged by the magnifying effect of the sight glass.

see also...

- More information to position indicators → Page 294
- Adapter bushings GN 952.1 (for position indicators) → Page 306
- Control knobs GN 957 (for position indicators) → Page 307
- Clamping plates GN 953.6 (for position indicators) → Page 308

| How to order | |
|--------------|---------------------------|
| 1 | Counter |
| 2 | Installation (front view) |
| 3 | Type |
| 4 | Color |

GN953-0005.0-AN-R-GR



Installation instructions

Before installation of the position indicator a bore for the torque limiting contact point is to be placed (see left).

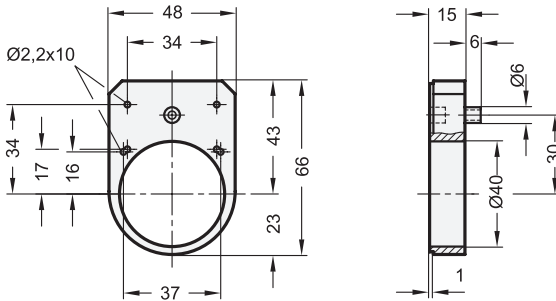
With the **adapter bushings GN 952.1** → Page 306, the hollow shaft (with Bore 20 H7) of the position indicator can be adapted to fit the spindle.

The mounting of the position indicator is via the torque limiting contact point which is connected to the hollow spindle and secured with a grub screw.

Before completing the installation, turn the spindle to the starting point (0) position and zero the position indicator.

With **clamping plates GN 953.6** → Page 308, spindles can be clamped and secured after adjusting.

GN 953.1 | Spacer plate



ELESA Original design BS52R

Specification

- Plastic (Polyamide PA) black, matte
- RoHS



Information

The previous position indicators GN 952 are replaced by position indicators GN 953, they are dimensionally reduced compared to GN 952.

The spacer plate GN 953.1 is used as adapter in case the dimensions on the machine body are applied to match the previous model GN 952.

The bore holes Ø 2,2 are used for the machine-side fastening with e.g. socket button head self-tapping screws in accordance with DIN ISO 7049.

How to order
GN 953.1