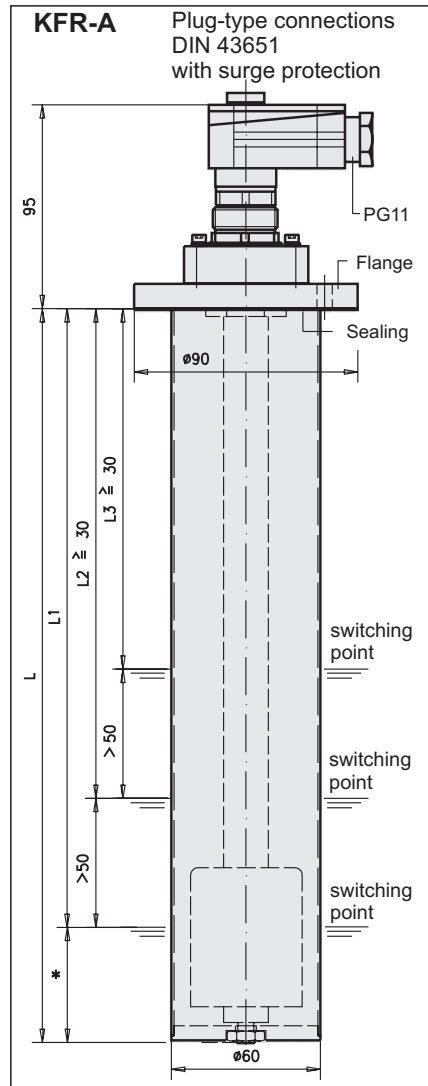
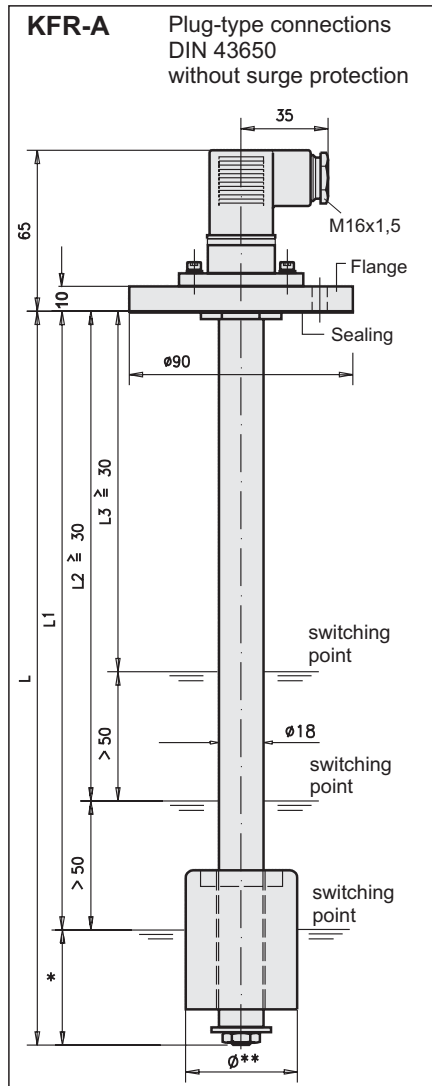




- Subject to modifications -



**Level switch  
KFR-A**

- Max.3 level switching points
- Max.2 level switching points and 1 thermostat
- Switching points individually adjustable
- Various plug-type connections
- With/without surge protection
- Drill pattern according to DIN 24557/Part 2

**Application:**

For liquids level detection in reservoirs and agent temperature monitoring.

**Level Switch - Function:**

In the conductor piece there are 3 switching elements at maximum which are latched into a hole strip at hole distances of 10mm each. The switching function is bistable. When turning the contacts by 180°, the switching function can be reversed (opening contact becomes closing contact and vice versa).

**Thermostat - Function:**

Upon reaching the firmly set response temperature, a bimetal disk that can be influenced by the temperature will switch (see Purchasing Designation). The thermostat is situated in the lower part of the conductor piece and can be exchanged.

**\* Float measures in case of-**

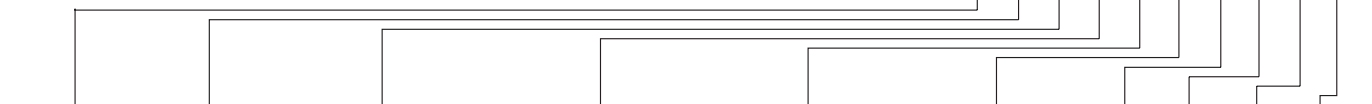
- Stainless Steel 60mm
- Stainless Steel + Thermostat 80mm
- PUR 50mm
- PUR + Thermostat 60mm

**\*\*Float diameters in case of-**

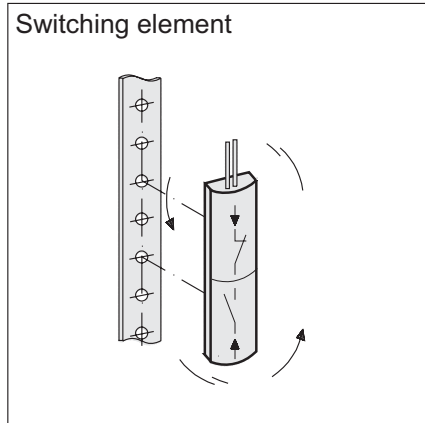
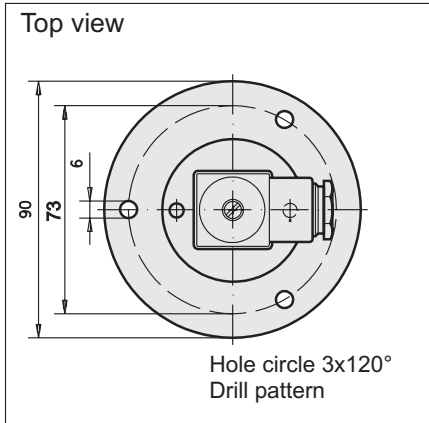
- Stainless Steel 52mm
- PUR 45mm

**Order designation:**

Level switch



Float	Surge protection	Switching functions				Thermostat or		Plug-type connection 3 pol. DIN43650 6 pol. DIN43651	Lengths						
		L1 switching point down level decreasing		L2 switching point middle level decreasing		L3 switching point up level decreasing			L	L1	L2	L3			
								[mm]	[mm]	[mm]	[mm]				
Stainless steel <b>(B)</b>	without <b>(N)</b>	without <b>(N)</b>		without <b>(N)</b>		without <b>(N)</b>		with cable jack 3pol.+PE <b>(Z3)</b>	state in the order						
		Opener <b>(O)</b>		Opener <b>(O)</b>		Opener <b>(O)</b>		6pol.+PE <b>(Z6A)</b>							
PUR-high-resistance foam <b>(C)</b>	with <b>(M)</b>	Closer <b>(S)</b>		Closer <b>(S)</b>		Closer <b>(S)</b>		6pol.+PE <b>(Z6B)</b>							
						Opener 63°C <b>(O63)</b>		without cable jack 3pol.+PE <b>(Z3N)</b>							
						Opener 71°C <b>(O71)</b>		6pol.+PE <b>(Z6AN)</b>							
						Opener 80°C <b>(O80)</b>		6pol.+PE <b>(Z6BN)</b>							



**General Technical Data:**

Operating pressure at max:	8 bar
Temperature range:	0...90 °C
Insertion position:	vertically ± 20 °
<b>Material:</b>	
Pipe ø 18:	Cu-alloy
Pipe ø 60:	AL-alloy
Float, stainless steel:	1.4571
float PUR:	PUR-high-resistance foam
Flange:	AL-alloy
Sealing:	Abil
Protection type:	IP 65
Weight at L=300:	0,45 kg
Weight / 100mm excess length:	0,05 kg

**Technical Data - Switching element:**

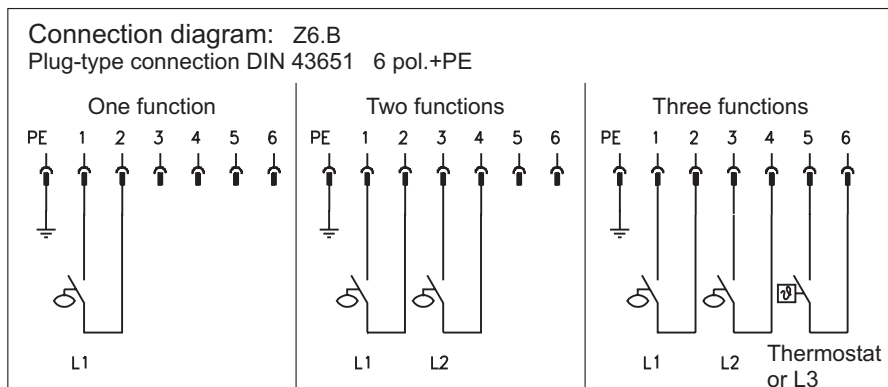
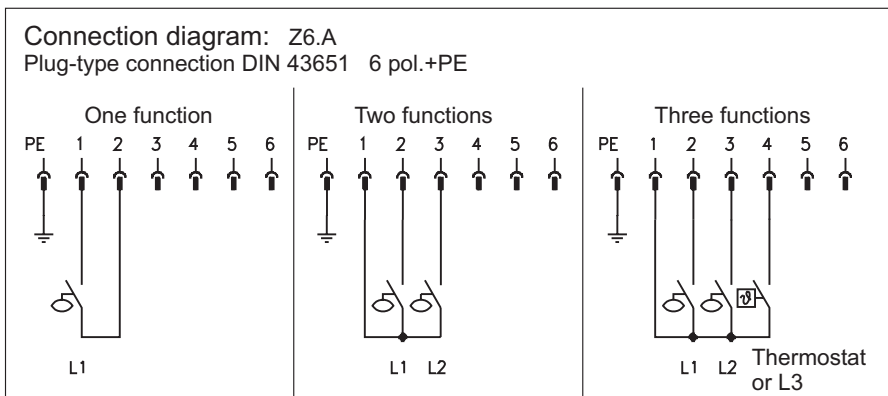
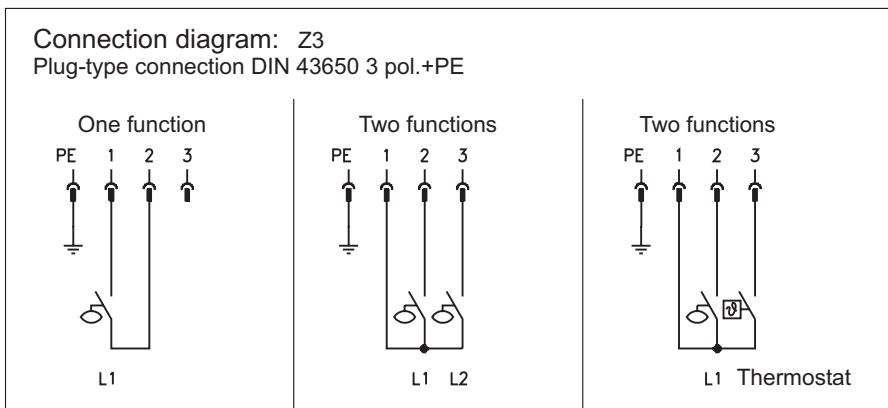
Switching voltage:	10...250 VUC
Switching current max.:	0,5A
Switching power max.:	40/40 W/VA

**Technical Data of the Thermostat:**

Switching voltage:	10...250 VUC
Switching current max.:	6,3A cosφ 0,6
Response tolerance:	±6%
Hysteresis at max.:	18°C

For inductive and capacitive loads, suppressor circuits shall be provided for.  
(Diode, RC element, varistor)

- Subject to modifications -



**Spare parts:**

Float - stainless steel:	476.402-60
Float - PUR	476.866-60
Switching element L1	477.127-60
Switching element L2	477.128-60
Switching element L3	477.215-60
Thermostat Opener at 63°C	476.155-65
Thermostat Opener at 71°C	476.156-65
Thermostat Opener at 80°C	476.157-65
Cable jack DIN 43650	913.400-20
Cable jack DIN 43651	913.400-27
Socket-contact for cable jack DIN 43651	913.400-29
Sealing ø90	477.086-45