



# Nozzle systems for surface treatment

## Easy-Clip nozzle system



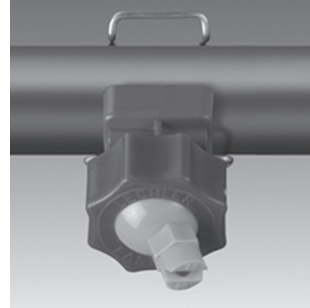
**Quick and easy assembly with clamp. No tools required. Allround swivelling by 30°. Easy adjustment and cleaning.**

### Applications:

Degreasing, phosphating in surface treatment.

### Materials:

Clamp: Stainless steel 301 SS  
 Sealing: EPDM  
 Cylinder pin, screw and screw unit: 316 SS.  
 Body, ball retainer cap: PP, reinforced.  
 Nozzle, ball joint: PP



## Sets

existing of

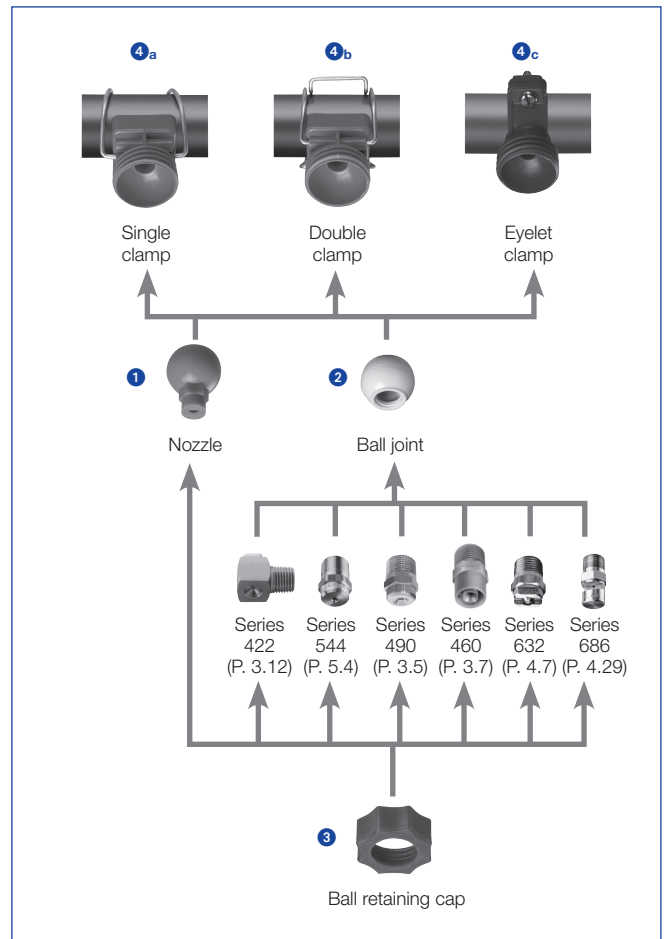
- Nozzle
- Single clamp for 1 1/4" pipe
- Ball retainer cap

Ordering no.	Nozzle colour		V̇ [l/min]				
			p [bar]				
			0.5	1.0	1.5	2.0	2.5
676.724.53.31	grey	60°	3.15	4.45	5.45	6.30	7.04
676.764.53.31	brown	60°	4.00	5.66	6.93	8.00	8.94
676.804.53.31	lilac	60°	5.00	7.07	8.66	10.00	11.18
676.844.53.31	yellow	60°	6.25	8.84	10.83	12.50	13.98
676.884.53.31	red	60°	8.00	11.31	13.85	16.00	17.89
676.904.53.31	blue	60°	9.10	12.87	15.76	18.20	20.35
676.924.53.31	green	60°	10.00	14.14	17.32	20.00	22.36

existing of

- Ball joint
- Single clamp for 1 1/4" pipe
- Ball retainer cap

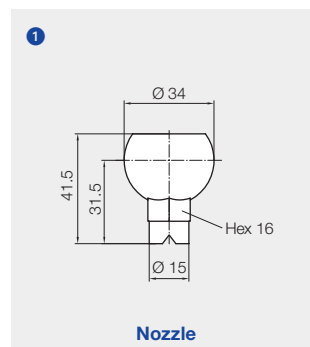
Ordering no.	Ball colour	Nozzle connection	For nozzle series
092.081.53.AB	beige	1/8 BSPP	460, 490, 632, 686, 610, 544
092.081.53.AD	beige	1/4 BSPP	422, 460, 490, 544, 612, 632, 686
092.081.53.AF	beige	3/8 BSPP	422, 460, 490, 632, 686, 688
092.081.53.AH	beige	1/2 BSPP	422, 460, 490, 632, 686



## Components

### 1 Nozzle

Ordering no.	Nozzle colour		V̇ [l/min]				
			p [bar]				
			0.5	1.0	1.5	2.0	2.5
676.724.53.30.01	grey	60°	3.15	4.45	5.45	6.30	7.04
676.764.53.30.01	brown	60°	4.00	5.66	6.93	8.00	8.94
676.804.53.30.01	lilac	60°	5.00	7.07	8.66	10.00	11.18
676.844.53.30.01	yellow	60°	6.25	8.84	10.83	12.50	13.98
676.884.53.30.01	red	60°	8.00	11.31	13.85	16.00	17.89
676.904.53.30.01	blue	60°	9.10	12.87	15.67	18.20	20.35
676.924.53.30.01	green	60°	10.00	14.14	17.32	20.00	22.36
092.080.53.00.01	grey		Blind nozzle				



Conversion formula for the above series:  $\dot{V}_2 = \dot{V}_1 * \sqrt{\frac{p_2}{p_1}}$



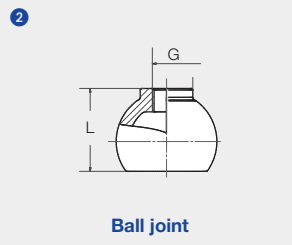
# Nozzle systems for surface treatment

## Easy-Clip nozzle system



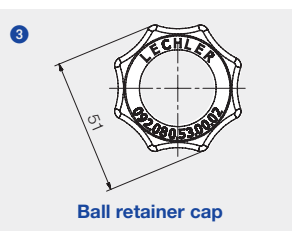
### 2 Ball joint

Ordering no.	Colour	Nozzle connection	L [mm]	For nozzle series
<b>092.080.53.AB.01</b>	beige	1/8 BSPP	28.4	460, 490, 544, 632, 686
<b>092.080.53.AD.01</b>	beige	1/4 BSPP	32.4	422, 460, 490, 544, 612, 632, 686
<b>092.080.53.AF.01</b>	beige	3/8 BSPP	31.4	422, 460, 490, 632, 686, 688
<b>092.080.53.AH.01</b>	beige	1/2 BSPP	33.0	422, 460, 490, 632, 686



### 3 Ball retainer cap

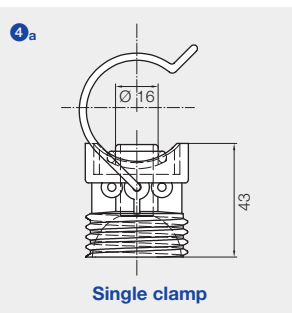
Ordering no.
<b>092.080.53.00.02</b>



### 4a Single clamp

Ordering no.	Spigot-Ø Br	Recommended bore-Ø	For Pipe-Ø
<b>092.080.53.00</b>	16.3 mm	16.5-17.0 mm	1" (32.0-34.5 mm)
<b>092.081.53.00</b>	16.3 mm	16.5-17.0 mm	1 1/4" (40.0-43.0 mm)
<b>092.082.53.00</b>	16.3 mm	16.5-17.0 mm	1 1/2" (46.0-49.0 mm)
<b>092.083.53.00</b>	16.3 mm	16.5-17.0 mm	2" (58.0-62.0 mm)

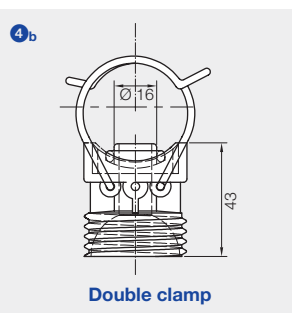
Other spigot-Ø (13.8/18.5 mm) on request.



### 4b Double clamp

Ordering no.	Spigot-Ø Br	Recommended bore-Ø	For Pipe-Ø
<b>092.090.53.00</b>	16.3 mm	16.5-17.0 mm	1" (32.0-34.5 mm)
<b>092.091.53.00</b>	16.3 mm	16.5-17.0 mm	1 1/4" (40.0-43.0 mm)
<b>092.092.53.00</b>	16.3 mm	16.5-17.0 mm	1 1/2" (46.0-49.0 mm)
<b>092.093.53.00</b>	16.3 mm	16.5-17.0 mm	2" (58.0-62.0 mm)

Other spigot-Ø (13.8/18.5 mm) on request.



### 4c Eyelet clamp

Ordering no.	Spigot-Ø Br	Recommended bore-Ø	For Pipe-Ø
<b>090.023.53.43.10</b>	16 mm	16.5-17.0 mm	1" (32.0-34.5 mm)
<b>090.033.53.43.10</b>	16 mm	16.5-17.0 mm	1 1/4" (40.0-43.0 mm)
<b>090.043.53.43.10</b>	16 mm	16.5-17.0 mm	1 1/2" (46.0-49.0 mm)

Other spigot-Ø (13.8/20.0 mm) on request.

