

MVHA-2*, 3* series

HAND VALVE



mindman



Specification

Model	MVHA-2*, 3*
Bore No.	M5
Port size	M5 × P0.8
No. of port	2 or 3
No. of position	2
Medium	Air
Operating pressure range	0~0.9 MPa
Effective orifice	1.8 mm ²
Ambient temperature	-5~+60°C (No freezing)
Weight	30 g

Order example

MVHA - 2V

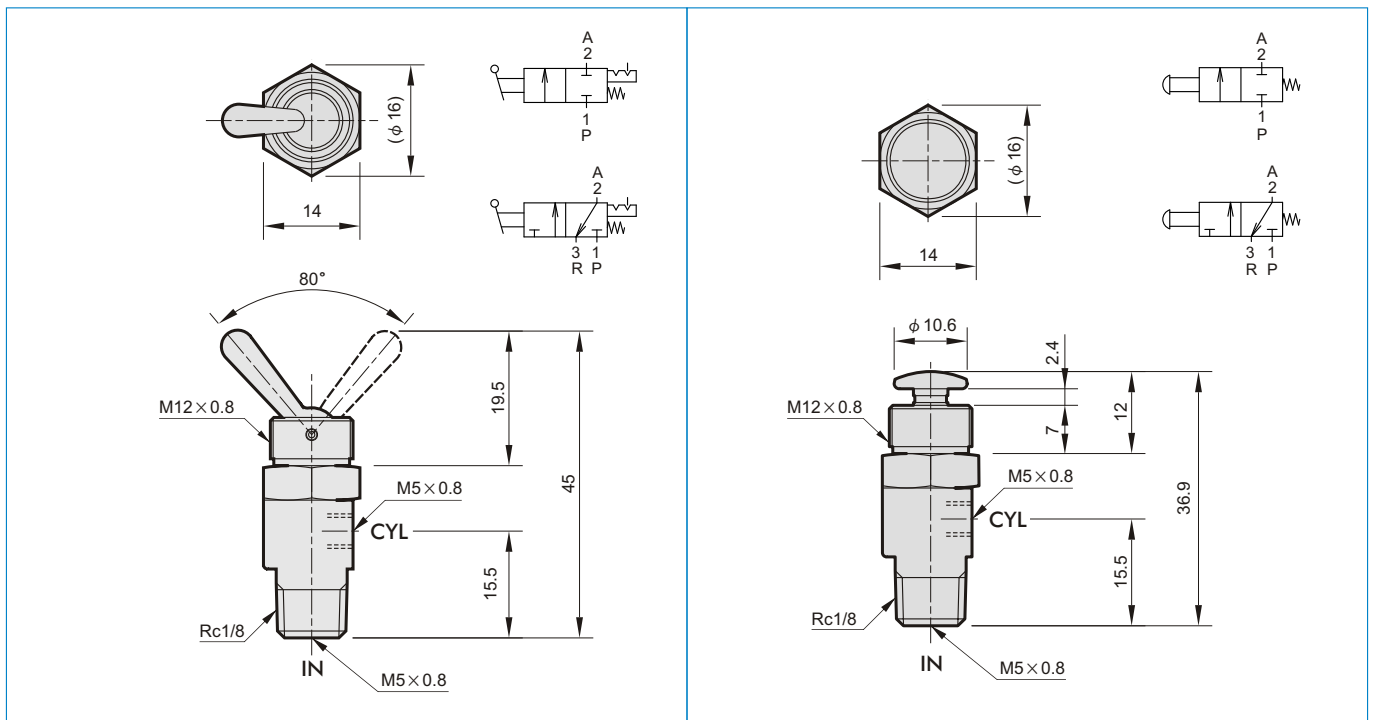
MODEL

2: 2port
3: 3port

V: V toggle
P: push button

MVHA-2V/3V

MVHA-2P/3P



mindman