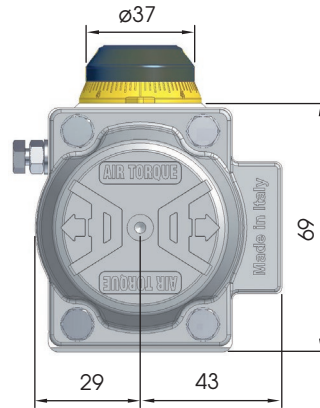
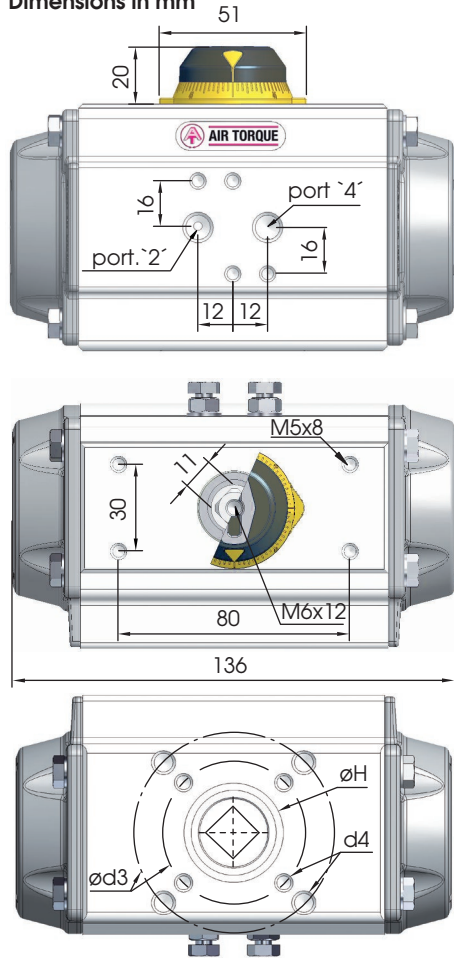


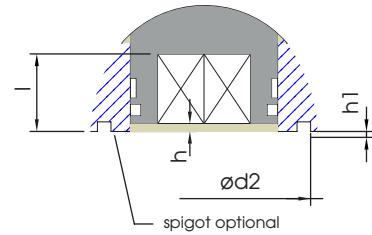


Dimensions in mm



ISO 5211 - available flanges

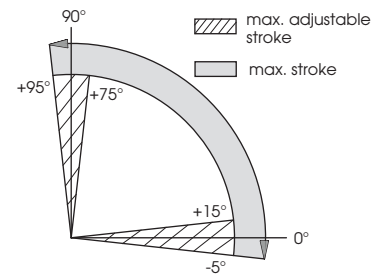
ISO 5211	Standard		optional	
	F04	F03 + F05		
Ø d2	30	25	-	
d3	42	36	50	
Ø d4	M5 x 8	M5 x 8	M6 x 9	
Ø H	30	25		
SW x l min.	D	9 x 11 - 11 x 12		
	DS	11 x 12		
h min.	0,5	0,5	0,5	
h1	1,5	1,5	-	



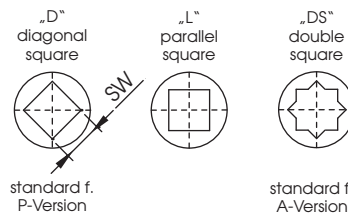
Connection / Attachment

Pressure connection port 2 and 4	G1/8"
Ancillaries attachment	AA0

Rotation and Stroke adjustment



optional squares



Pressure	Output torque for double acting and spring return in Nm												Spring torque	approx. weight in kg										
	2,5 bar		3 bar		3,5 bar		4 bar		4,2 bar		4,5 bar				5 bar		5,5 bar		6 bar		7 bar		8 bar	
	0°	90°	0°	90°	0°	90°	0°	90°	0°	90°	0°	90°			0°	90°	0°	90°	0°	90°	0°	90°	0°	90°
DR	8,3		10		11,6		13,3		14		15		16,6		18,3		19,9		23,3		26,6		-	1,1

Springset

Springset	5,0	3,0	7,0	4,7	8,0	6,3	10,0	8,0	10,7	8,7	11,7	9,6	13,3	11,3					5,3	3,3	1,12				
SC S1	5,0	3,0	7,0	4,7	8,0	6,3	10,0	8,0	10,7	8,7	11,7	9,6	13,3	11,3					5,3	3,3	1,12				
SC S2	4,0	1,9	6,0	3,6	7,7	5,3	9,3	6,9	10,0	7,6	11,0	8,6	12,7	10,2	14,3	11,9			6,4	4	1,14				
SC S3			5,3	2,5	7,0	4,2	8,7	5,8	9,4	6,6	10,3	7,5	12,0	9,2	13,7	10,8	15,3	12,5	7,4	4,6	1,16				
SC S4					6,3	3,0	8,0	5,0	8,7	5,5	9,7	6,4	11,3	8,1	13,0	9,8	14,7	11,4	18,0	14,7	8,5	5,3	1,18		
SC S5							7,3	3,7	8,1	4,4	9,0	5,4	10,7	7,0	12,3	8,7	14,0	10,0	17,3	13,7	20,6	17,0	9,6	5,9	1,2
SC S6											8,4	4,3	10,0	6,0	11,7	7,6	13,3	9,3	16,7	12,6	20,0	16,0	10,6	6,6	1,22
SC S7													9,4	4,9	11,0	6,6	13,0	8,2	16,0	11,6	19,3	14,9	11,7	7,3	1,24
SC S8															10,4	6,0	12,0	7,2	15,3	10,5	18,7	13,8	12,8	7,9	1,26

Pressure	Rotation max. (STD) (C)	Screw stroke adjustment	Chamber Ø (mm)	Air volume (l)		Moving time (sec.) (A)	
				OPEN	CLOSE	OPEN	CLOSE
8 bar	0° - 90°	for 1° 1/6 rotation	50	0,09	0,15	D 0,20 S 0,25	D 0,25 S 0,30

Operating temperature (°C) (B)		
ST (Standard)	HT (High temperature)	LLT (Extreme low temperature)
- 40 to + 80	- 15 to + 150	- 55 to + 80

(A) the above indicated moving time of the actuator is obtained under the following test conditions: (1) room temperature, (2) actuator stroke 90°, (3) solenoid valve with Ø 4 mm and flow capacity Qn 400 l/min., (4) inside pipe Ø 8 mm, (5) medium clean air, (6) air supply pressure 5,5 bar (79,75 Psi), (7) actuator without external resistance load. **Caution:** It has to be expected, e.g. for field applications, when one or more of the above parameters are different, the moving time will be different.

(B) Every temperature range option requires proper components and lubricant. Please contact Air Torque GmbH.

Operating Medium:

The operating medium must be free of dust and oil. The maximum particle size must not exceed 30µ. (ISO 8573 Part1, Class5). In order to prevent water condensation and/or solidification (ice when actuator works below 0°C), the operating medium must have a dew point equal to -20°C or at least 10°C below the ambient temperature (ISO 8573 Part1, Class3)