

**SST 01-10-102-192-05-H-1D1-0.5-J5****Industrial Light Curtain**

Industrial Light Curtains

**Compatible Receivers:**

SSR 01-4-102-192-05-H-1D1-0.5-J8

SSR 01-10-102-192-05-H-1D1-0.5-J8

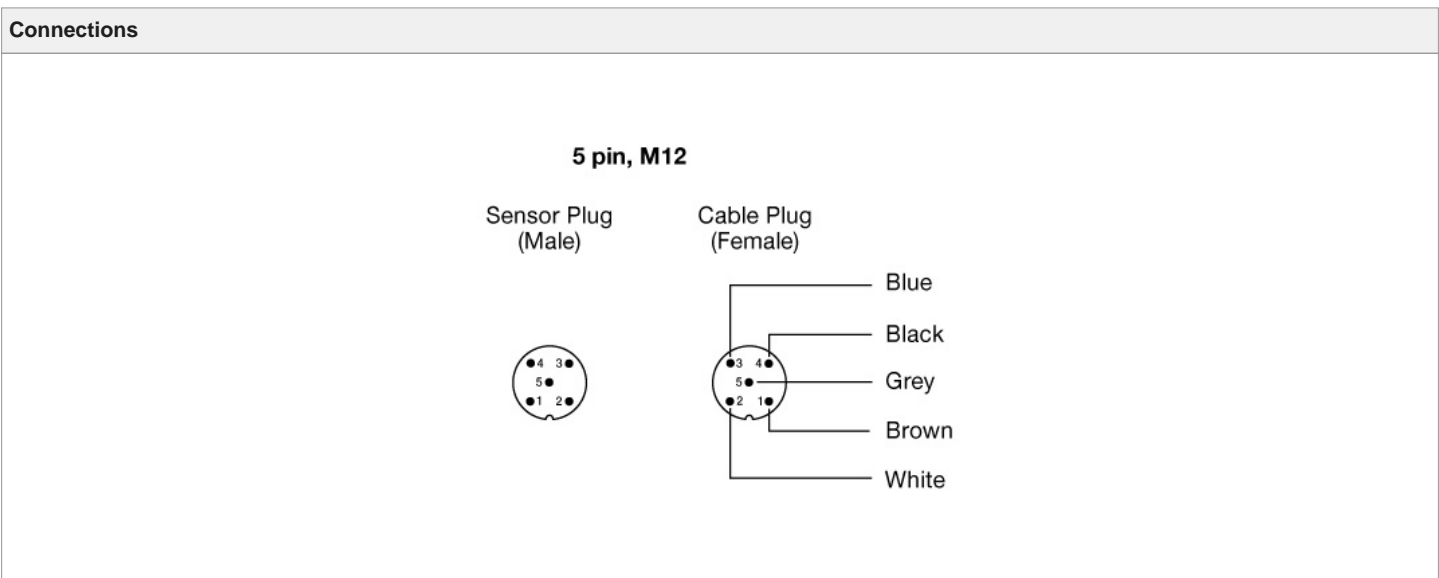
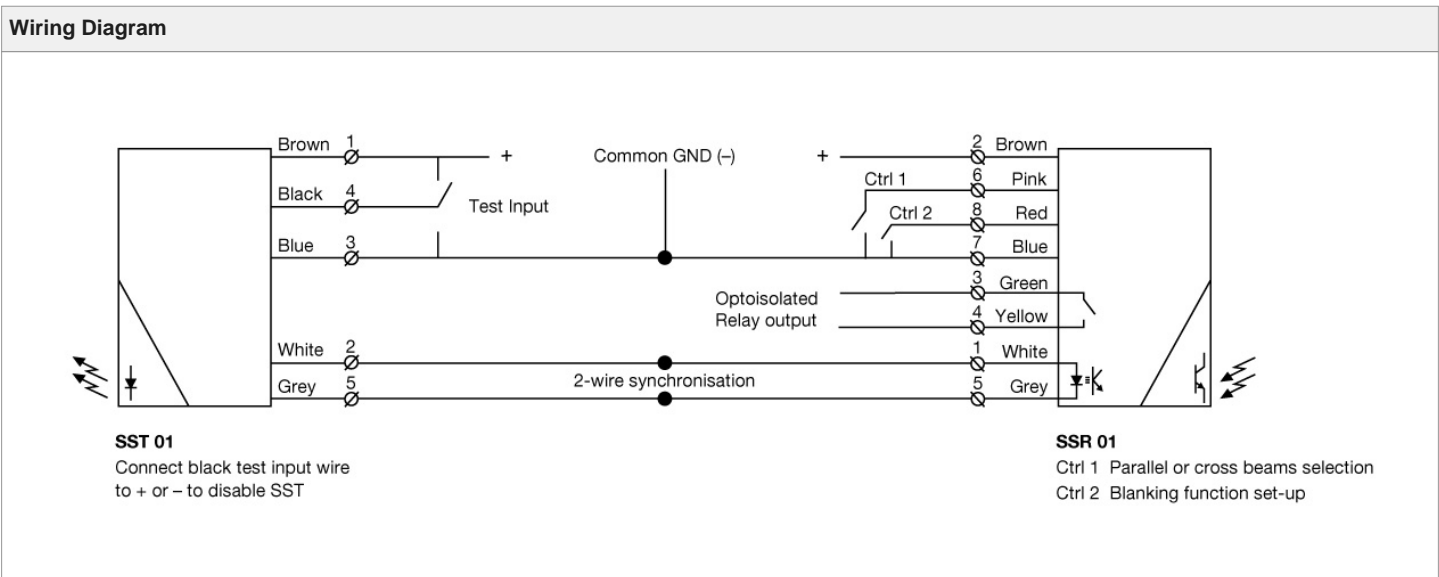


Product Data	
Channel Spacing	5 mm
Function	Transmitter
Operation Mode	Thru Beam
Supply Voltage	12 - 30 V dc
Connection	0.5 m cable with 5 pin, M12 plug
Sensing Range	10 m
Length	1020 mm
Active Height	960 mm
Housing	33 x 36 mm

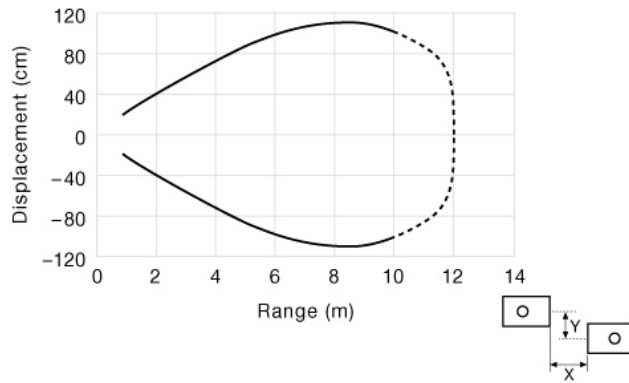
Technical Data	
Supply Voltage	12 - 30 V dc
Reverse Polarity Protected	Yes
Current Consumption	100 mA
Number of Channels	192
Number of Cross Scanning Beams	574
Number of Parallel Beams	192
Distance, Beams Pinch Point	2,5 mm
Channel Spacing	5 mm
Test Input	Yes
Power On Indicator	Green LED
Light Source	Infrared (880 nm)
Profile Dimensions (w x d)	33 x 36 mm
Housing Material, Front Lens	Polycarbonate
Housing Material, Profile	Aluminium (black anodised)
Cable	5 x 0,2 mm <sup>2</sup>
Cable Sleeve	PVC Ø 5,9 mm

Environmental Data	
Vibration	10 - 55 Hz, 0,5 mm
Shock	30 g
Operation Temperature	-30 to +60 °C
Storage Temperature	-40 to +80 °C
Sealing Class	IP 67

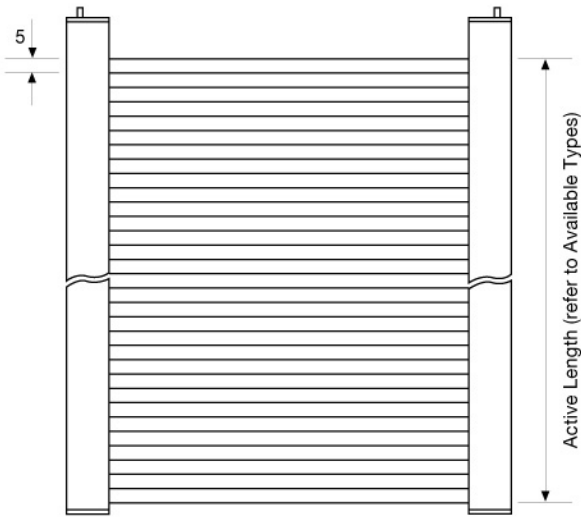
**Approvals**

Parallel Displacement

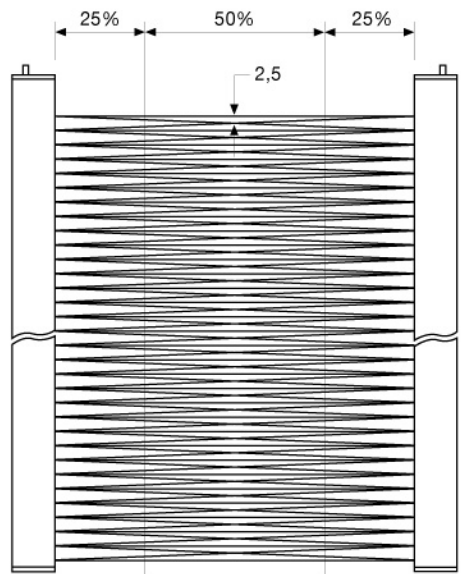


Beam Patterns



Parallel Beams

5 mm channel spacing



Cross Beams

Dimensions

