

## Absolute rotary Encoder

**CEV582M\*8192/4096 PB (ALT:CEV58M-00167)**

OrderNo.:CEV582M-10167

30.8.2021 / 010102058202020201

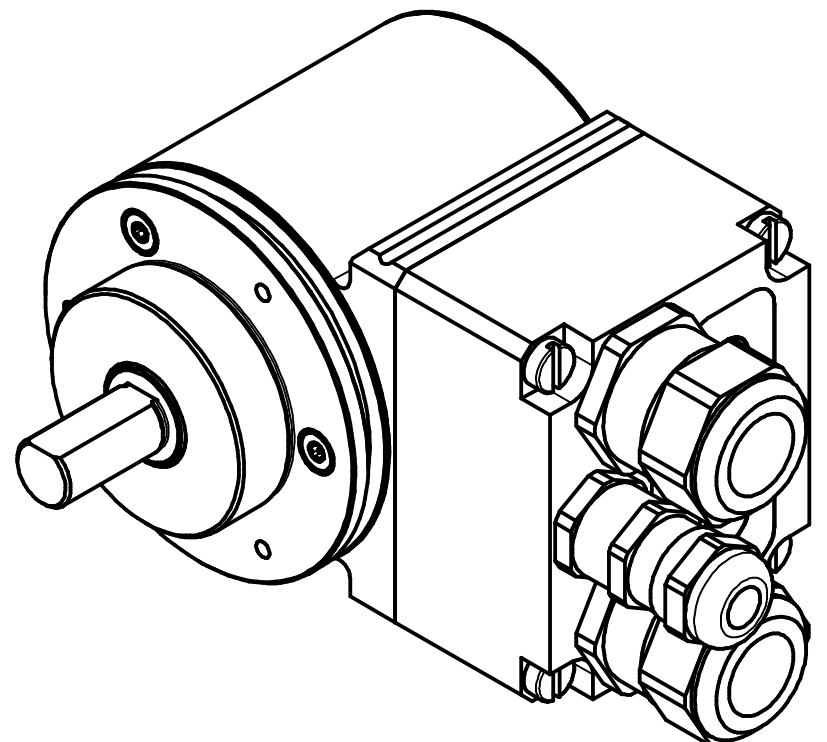
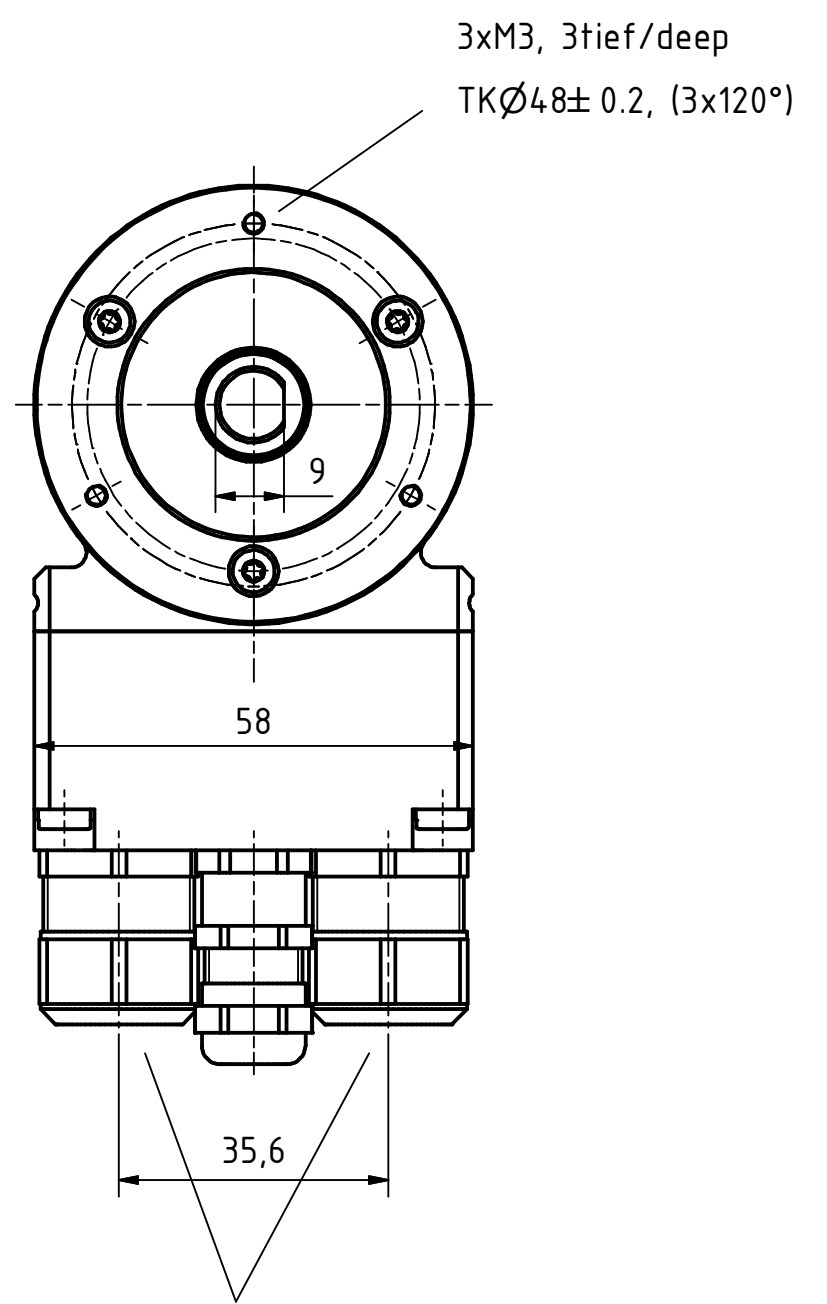
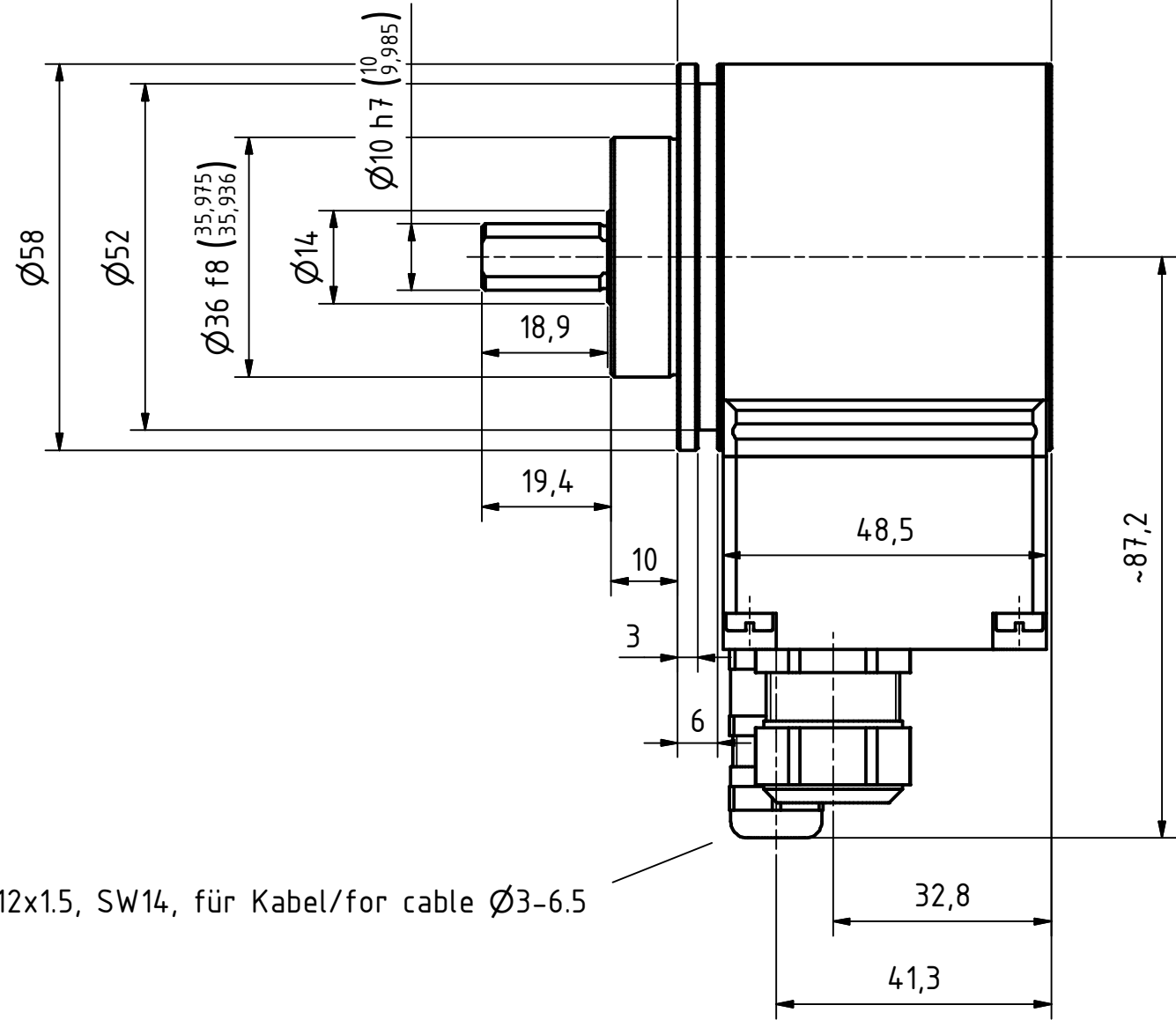
### Technical data

NO.OF STEPS/REV	8.192,000
NO. OF REVOLUTIONS	4.096,000
INTERFACE	PROFIBUS DP
SUPPLY VOLTAGE	10-30V
PROTECTION Class	IP65
TEMPERATURE RANGE	-20+75°C
FLANGE TYPE	ZB36
SHAFT TYPE	10FL/19,5
CONNECTOR TYPE	2XM16X1,5/1XM12X1,5
CONNECTOR-POSITION	RADIAL
PINOUT NO.	TR-ECE-TI-GB-0065
MATING PLUG	NO
OPTIONS ENC	12MBAUD
OPTIONS ENC	PNO-PROFILE CLASS.2
OPTIONS ENC	SUBSTITUTE FOR C_58
DRAWING NO.	04-CEV582M-M0170
FIRMWARE NO	437936
DOCUMENTATION NO	DOKUMENTE
AL:	N
ECCN:	N
MTTFd [y] (T=45°C, DC=0) >=	100
UL-APPROVALS	USA+CANADA

<b>GL</b>	Wellenausführung glatt / shaft type cylindrical
<b>FL</b>	Wellenausführung mit Fläche / shaft type with flat surface
<b>N</b>	Wellenausführung mit Nut / shaft type with slot
<b>Hohlw</b>	Hohlwelle / hollow shaft
<b>Klemme</b>	mit Klemmring / with clamping ring
<b>Grundw</b>	Grundwelle / fundamental shaft
<b>SLG</b>	Seillängengeber / cable retractor
<b>ZB</b>	Zentrierbund / centre ring
<b>Tachofl</b>	Tachoflansch / tachometer flange
<b>DAG</b>	DAG-Schutzgehäuse / DAG protective housing
<b>TK</b>	Teilkreis / pitch circle


**Subject to change.**

TR-Electronic GmbH  
 Eglisshalde 6  
 78647 Trossingen  
 Tel. +49 (0) 7425 228-0  
 info@tr-electronic.de  
[www.tr-electronic.de](http://www.tr-electronic.de)



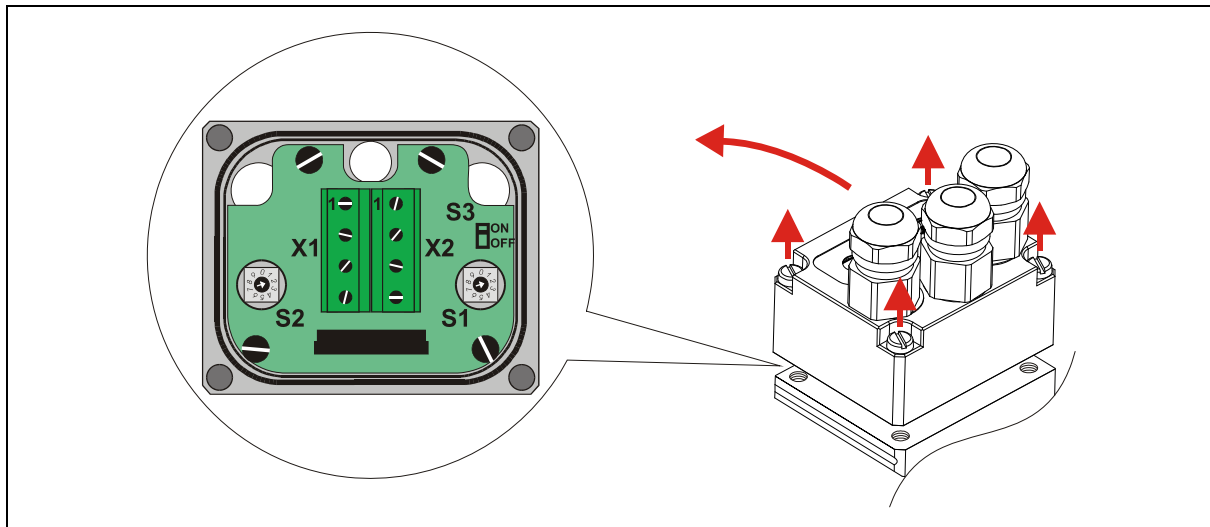
Biegeradius Kabel 15xØ bezogen auf Standardkabel  
 Unitronic FD-CP  
 Bending cable radius 15xØ for cable type  
 Unitronic FD-CP

Artikel-Nr. und Steckerbelegung: siehe Datenblatt  
 Article-No. and pin connections: see data sheet

 TR-electronic GmbH Eglisshalde 6 D-78647 Trossingen phone +49 7425 228.0 www.tr-electronic.de	Maßstab 1:1    DIN A3    Projekt-Nr.:			
	Zeichnungs-Nr. nur für diese Ausführung gültig Drawing-No. only for this type valid			
	Datum	Name	CEV-582-M, 36er Zentr.	
	Erstellt 16.10.2019	FLAIG		
	Bearb. 16.10.2019	FLAIG		
	Gepr. 22.10.2019	NEMECZ		
	Norm			
	www.tr-electronic.de DXF+Info: info@tr-electronic.de		Zeichnungs-NR./Drawing-No.: <b>04-CEV582M-M0170</b>	
Zustf.	Änderungen	Datum	Name	Blatt 1 1 Bl.

## Pin assignment

### 58 / 80 Profibus-DP PNO Class 2



X1	Screw clamp 4 pin	
Pin 1	Profibus, Data A	Profibus_IN
Pin 2	Profibus, Data B	
Pin 3	US, 11-27 V DC	
Pin 4	GND, 0V	

X2	Screw clamp 4 pin	
Pin 1	Profibus, Data A	Profibus_OUT
Pin 2	Profibus, Data B	
Pin 3	US, 11-27 V DC	
Pin 4	GND, 0V	

#### Print clamp, MKDSN 1,5/ 4-5,08: (not connected clamps must be tightened securely!)

- Nominal current: 13.5 A
- nominal voltage: 250 V
- grid spacing: 5.08 mm
- number of poles: 4
- connection angle: 0°
- nominal cross-section (flexible) max. 1.5 mm<sup>2</sup>
- nominal cross-section AWG/kcmil max. 16



Betriebsanleitung beachten! - Observe User Manual!



## Pin assignment

● = ON    ○ = OFF    ⊙ = 1 Hz    ⊚ = 10 Hz

BUS FAIL (red)	BUS RUN (green)	Cause
○	○	No supply voltage, hardware error
●	⊙	Parameter- or configuration error (Preset value 1/2 or limit switch out of range, wrong GSD file) Memory error, position error
○	⊙	Blink mode is supported only in case of older measuring system generations. Unrecoverable measuring system defect (memory error, position error)
⊙	●	No allocation to a master, no data exchange
○	⊙	Parameter- or configuration error in PNO compatible target configuration (number of revolutions is not a power of two)
○	●	operational, no error, bus in cycle

### General note:

If the measuring system is the last station in the Profibus segment, the DIP switch  $S_3$  for the Profibus terminator (switching-on of the terminal resistance) must be switched on. Otherwise the terminator must be switched off. With the add-on connection of the terminal resistance the Profibus signals DataA\_OUT and DataB\_OUT will be switched off and following slaves are separated from the bus.

The Profibus also operates, if the device is separated from the connection cap, however with one exception: **If the measuring system is the last station in the Profibus segment, the termination isn't fully active because the reference potential of the terminator resistance is missing!**

In order to enable a separate wiring of incoming and outgoing signals the Profibus terminals and the terminals for the supply voltage have two connection possibilities.

TR-Electronic recommends for the operation to use only bus cables certified by the Profibus User Organization (PNO).

With the BCD address switches  $S_1$  ( $10^0$ ) and  $S_2$  ( $10^1$ ) the station address for the Profibus is set from 3 to 99.



Betriebsanleitung beachten! - Observe User Manual!

