

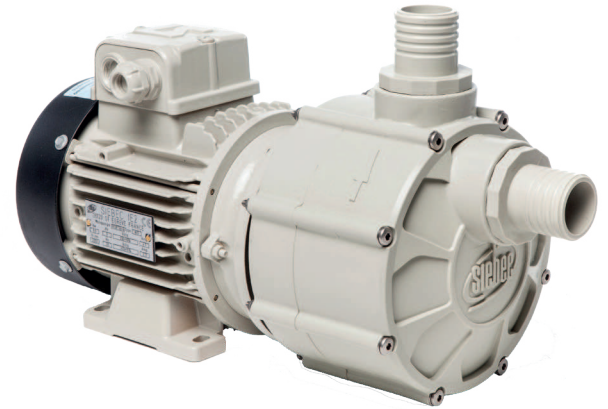
A18 - 19



MECHANICAL SEALS PUMPS

Highlights

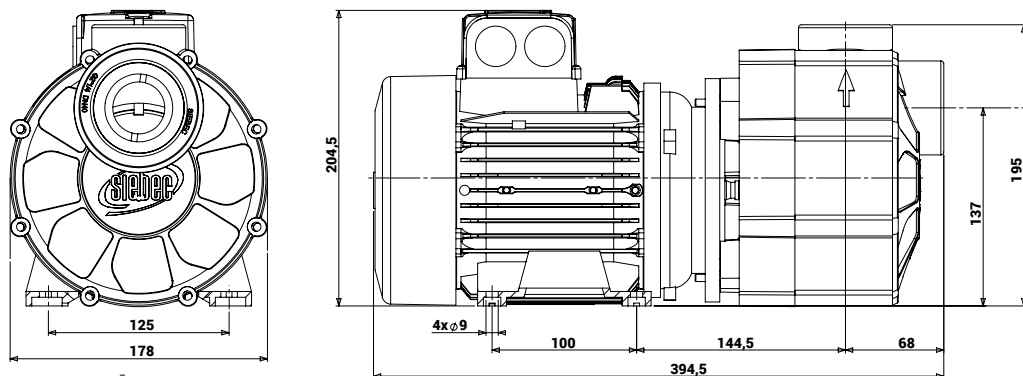
- Polypropylene or PVDF : great resistance to acids and alkalines
- Closed centrifugal impeller with diffused : great efficiency
- Carbide/ carbide seal : great resistance to wear and tear
- Strainer integrated to the volute : enhanced pump security
- Self repriming : up to 2m
- Integrated electrical motor IE3
- Connections : standard grooved nozzles
- Option : union nuts, flanges



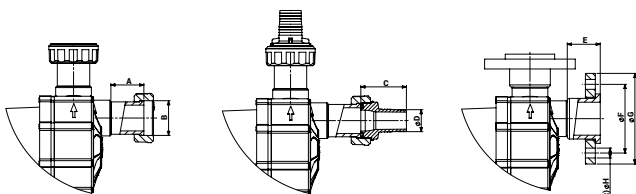
Technical features

		A18	A19
Seals		Carbide / carbide (others on request)	
Electric motor		IE3	
Power supply - V		230 / 400 3ph	
Frequency - Hz		50 or 60	
Rotation speed - rpm		3 000	
Motor power - kW		0,75	1,1
Max flowrate - m³/h		10	14
Max height - mWC		18	19
Max temperature - °C	PP	80	80
	PVDF	110	110
Density		<1,8	<1,7
Gaskets	PP	EPDM - FPM	EPDM - FPM
	PVDF	FPM	FPM

Dimensions



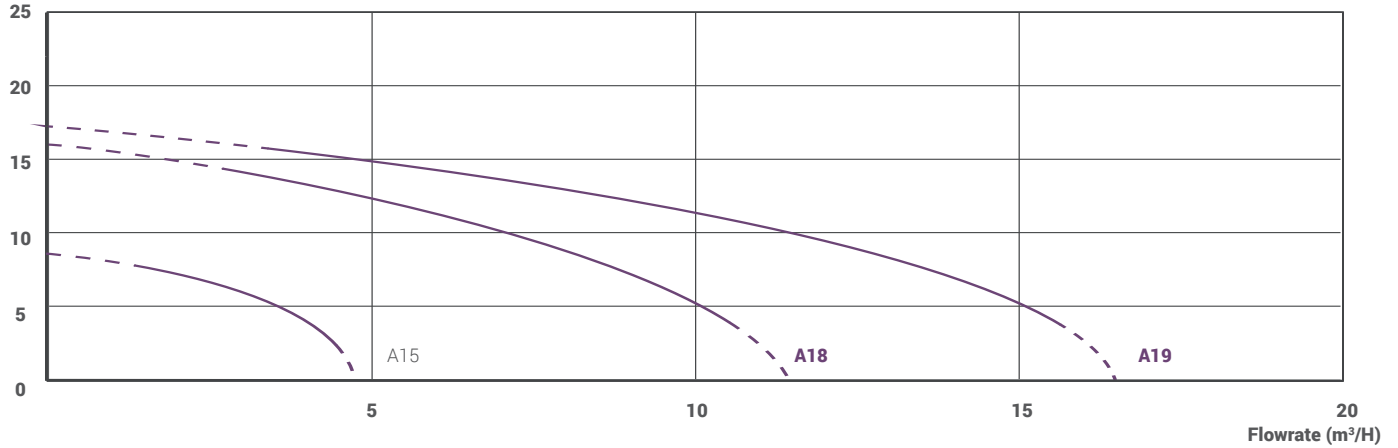
Connections



		Inlet	Outlet
1	ØA-B	2»1/4 (DN40) - 60	2»1/4 (DN40) - 60
2	ØC - D	Ø40 - 83	Ø40 - 83
3	ØE - ØF - NxØG - H	Ø150 - Ø110 - 4X Ø18 - 60	Ø150 - Ø110 - 4X Ø18 - 60

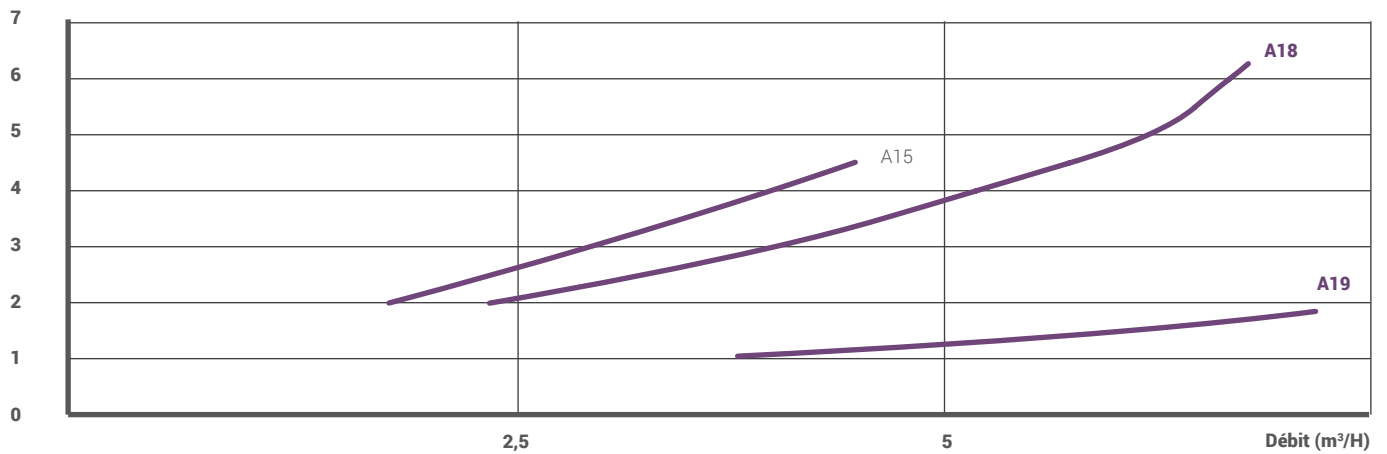
Flow rates chart

Total head (mWC)



NPSH charts

NPSH (mWC)



Efficiency charts

Efficiency (%)

