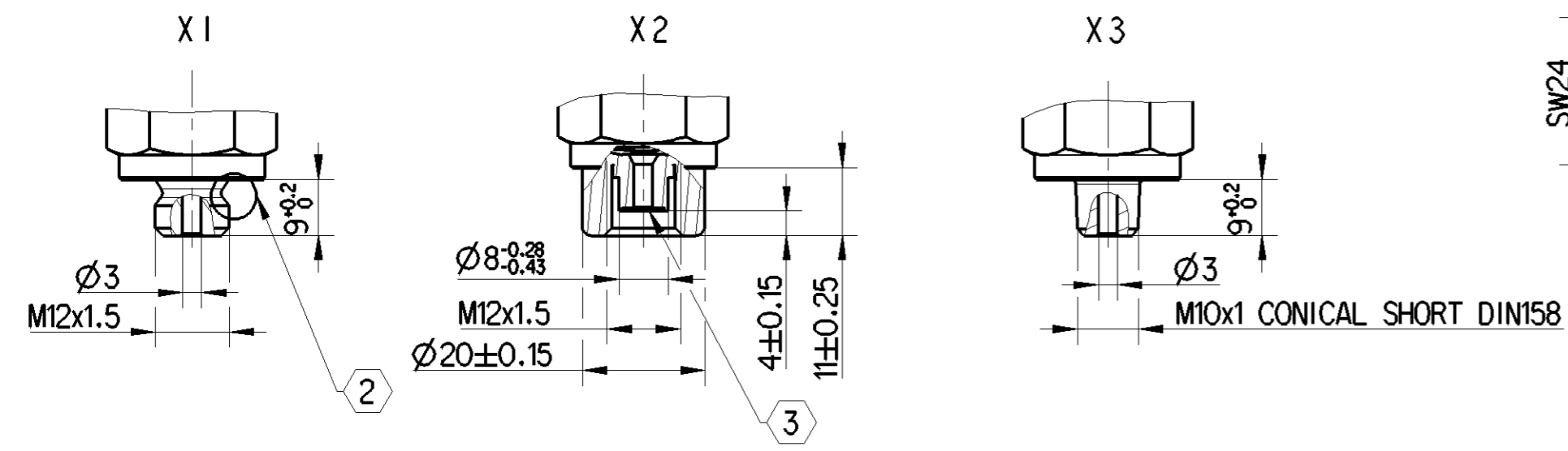
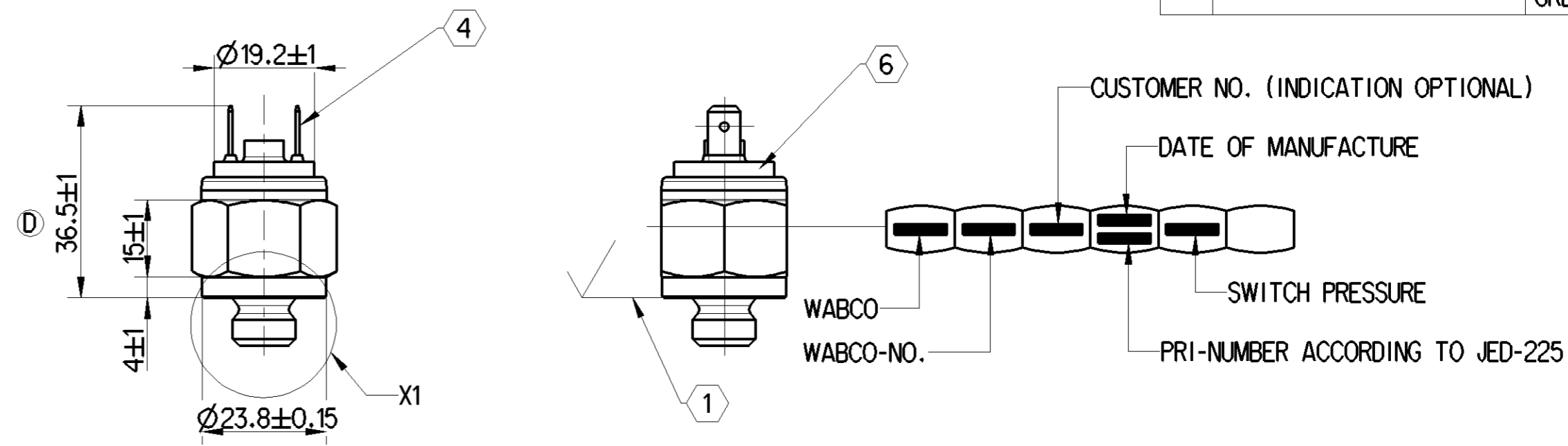


WABCO-NO.	SWITCH PRESSURE	TYPE OF SWITCH /COLOR	THREAD
441 014 001 0	2.0 ±0.2 bar	NOC / RED	X1
441 014 002 0	1.0 ± 0.2 bar	NOC / RED	X3
441 014 004 0	5.5 ±0.6 bar	NCC / GREEN	X1
441 014 005 0	2.0 ±0.2 bar	NOC / RED	X3
441 014 006 0	2.0 ±0.2 bar	NCC / GREEN	X1
441 014 007 0	3.0 ±0.3 bar	NOC / RED	X3
441 014 008 0	4.2 ±0.4 bar	NCC / GREEN	X3
441 014 009 0	4.0 ±0.4 bar	NOC / RED	X3
441 014 010 0	0.3 ±0.1 bar	NCC / GREEN	X1
441 014 012 0	3.5 ±0.4 bar	NCC / GREEN	X1
441 014 013 0	4.1 ±0.4 bar	NCC / GREEN	X1
441 014 014 0	4.5 ±0.5 bar	NCC / GREEN	X1
441 014 015 0	5.0 ±0.5 bar	NCC / GREEN	X1
441 014 017 0	4.0 ±0.4 bar	NOC / RED	X1
441 014 018 0	1.2 ±0.2 bar	NCC / GREEN	X1
441 014 019 0	0.15 ±0.1 bar	NOC / RED	X1
441 014 020 0	2.0 ±0.2 bar	NCC / GREEN	X3
441 014 021 0	0.5 ±0.15 bar	NOC / RED	X1
441 014 022 0	6.0 ±0.6 bar	NOC / RED	X1
441 014 023 0	2.5 ±0.3 bar	NOC / RED	X1
441 014 024 0	1.0 ±0.2 bar	NOC / RED	X1
441 014 025 0	6.0 ±0.6 bar	NCC / GREEN	X1
441 014 026 0	4.5 ±0.5 bar	NOC / RED	X1
441 014 029 0	5.0 ±0.5 bar	NOC / RED	X1
441 014 032 0	5.2 ±0.5 bar	NCC / GREEN	X1
441 014 040 0	3.0 ±0.3 bar	NOC / RED	X1
441 014 061 0	5.7 ±0.6 bar	NCC / GREEN	X1
441 014 072 0	6.6 ±0.6 bar	NCC / GREEN	X1
441 014 073 0	5.5 ±0.6 bar	NOC / RED	X1
441 014 083 0	0.3 ±0.1 bar	NCC / GREEN	X2
441 014 100 0	0.15 ±0.1 bar	NOC / RED	X2
441 014 101 0	4.5 ±0.5 bar	NCC / GREEN	X2
441 014 102 0	5.5 ±0.6 bar	NCC / GREEN	X2
441 014 104 0	0.5 ±0.15 bar	NOC / RED	X2
441 014 105 0	5.7 ±0.6 bar	NCC / GREEN	X2

SAFETY CHARACTERISTICS	0
SIGNIFICANT CHARACTERISTICS	0

TECHNICAL DATA		
1 DEGREE OF PROTECTION ISO 20653	BODY	IP 60
	ELECTRIC TERMINALS	IP 00
	SWITCH WITH PROTECTIVE SLEEVE (897 750 342 4) AND CABLE OF Ø5-0.5	IP 65
2 WORKING PRESSURE	max. 12 bar	
3 EXCESS PRESSURE	16 bar	
4 BURSTING PRESSURE	30 bar	
5 WORKING TEMPERATURE	-40 °C...+80 °C	
6 MEDIUM	AIR	
7 TORQUE	max. 30Nm (M12x1.5) max 18Nm (M10x1)	
8 NOMINAL VOLTAGE	12V/24V	
9 SWITCHING CAPACITY	max. 30W (AT OHMIC LOAD) max. 5W (AT RELAY LOAD)	
10 SURFACE PROTECTION ACCORDING TO	JED-256-5	

REMARK	
1 SEALING SURFACE	
2 THREAD UNDERCUT	DIN 3852 -A
3 FITTING DIMENSIONS OF MATING COMPONENT ACCORDING TO	DIN 2353
4 TERMINALS 6.3x0.8, SILVER PLATED BRASS	IEC 61210
5 ADJUSTMENT SCREW FIXED WITH LOCKING VARNISH	
6 COLOR	RED GREEN



General Specification: JED-334-0		Copyright WABCO®		<b>WABCO</b>	
Further Technical Data: 441 014 401 0		Date	Signature	PRESSURE SWITCH	
Doc. Code: 035	Sheet: 1 To X	2020-04-27	Markuszewski	Checked	
General Tolerances JED-261		2020-04-29	Gruender	Expert	
Range of Nominal Dimensions ( ± mm)		Klimuk K.		Material No.	
Class 1)	≤ 50 > 50 ≤ 180 > 180 ≤ 400 > 400	Mass	Scale	Date of first issue: 2006-06-06	
Fine	0.5 1.0 1.5 2.0	0.060	1:1	441 014 401 0	
Medium	1.0 2.0 3.0 4.0	Kg		Doc.Code	Language
Coarse	2.0 3.5 5.0 6.5	Size	CAD System	053	EN
Tapped Holes acc. JED-152		A 2 Pro/E		Techn. Resp.	5090_EM
1) Tolerance Class Applied Crossmarked		ECN-No.		Revision	3x D
		503491		Replacment for	884 058 402 0

Non e permesso copiare, o terzi o riprodurre questo documento, ne utilizzare il contenuto o renderlo comunque noto o terzi senza autorizzazione esplicita. Ogni infrazione costituisce un evidente abuso e comportera il risarcimento dei danni subiti. E' fatta riserva di tutti i diritti derivanti da brevetti o modelli.

Copying of this document and giving it to others and the use or communication of the contents thereof, are forbidden, without express authority. Contention of this restriction will constitute an evident abuse and result in a liability to the payment of damages. All rights are reserved in the event of the grant of patent or registration of a utility model or design. This document is the subject of copyright.

Toute communication ou reproduction de ce document, toute exploitation ou communication de son contenu sont interdites, sauf autorisation expresse. Tout manquement a cette regle constitue un abus evident et expose son auteur au versement de dommages et interests. Tous droits de propriete industrielle reserves, notamment en matiere de brevets et de modesles.

Wiedergabe sowie Vervielfaltigung dieser Unterlagen, Verfertigen und Weitergeben ist ohne schriftliche Genehmigung WABCO. Nachdruck, Verbreitung oder sonstiges Verwenden ist ohne schriftliche Genehmigung WABCO. Alle Rechte vorbehalten.

Tutte comunicazioni o riproduzione di questo documento, o terzi o riprodurre questo documento, ne utilizzare il contenuto o renderlo comunque noto o terzi senza autorizzazione esplicita. Ogni infrazione costituisce un evidente abuso e comportera il risarcimento dei danni subiti. E' fatta riserva di tutti i diritti derivanti da brevetti o modelli.

Wiedergabe sowie Vervielfaltigung dieser Unterlagen, Verfertigen und Weitergeben ist ohne schriftliche Genehmigung WABCO. Nachdruck, Verbreitung oder sonstiges Verwenden ist ohne schriftliche Genehmigung WABCO. Alle Rechte vorbehalten.