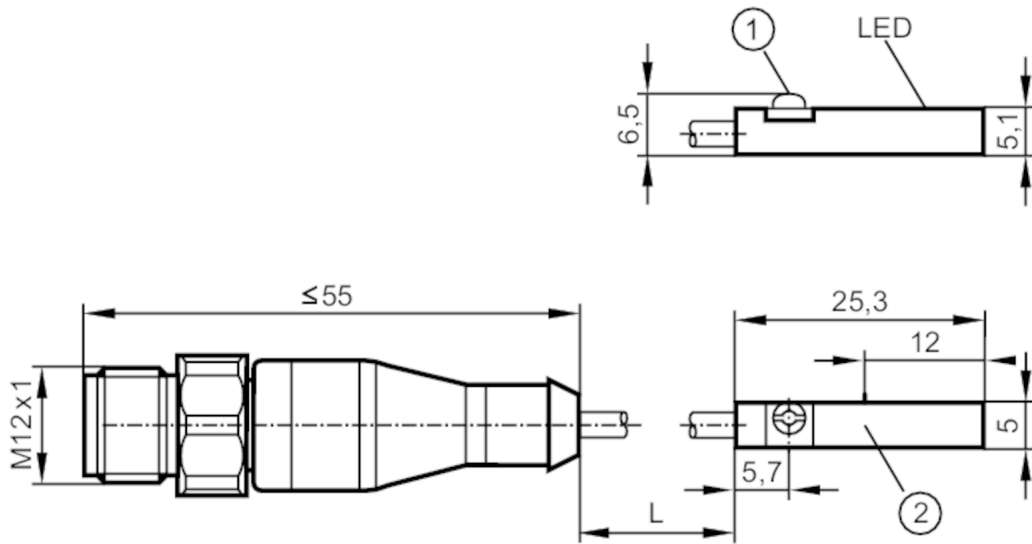


MK5177



T-slot cylinder sensor

MKT3020BBPKG/A/1,2MI-H/US



- 1 Fastening clamp
2 sensing face



Product characteristics

Electrical design	PNP
Output function	normally open
Dimensions [mm]	25 x 5 x 6.5

Electrical data

Operating voltage [V]	10...30 DC; (cULus - Class 2 source required)
Current consumption [mA]	< 10
Protection class	III
Reverse polarity protection	yes
Max. power-on delay time [ms]	30

Outputs

Electrical design	PNP
Output function	normally open
Max. voltage drop switching output DC [V]	2.5
Permanent current rating of switching output DC [mA]	100
Switching frequency DC [Hz]	6000
Short-circuit protection	yes
Overload protection	yes

Monitoring range


Magnetic sensitivity [mT]	2
Travel speed [m/s]	> 10

MK5177



T-slot cylinder sensor

MKT3020BBPKG/A/1,2M/-H/US

Accuracy / deviations		
Hysteresis	[mm]	1
Repeatability	[mm]	< 0.2
Operating conditions		
Ambient temperature	[°C]	-25...85
Protection		IP 65; IP 67; IP 69K
Tests / approvals		
EMC	EN 61000-4-2 ESD	- CD / 8 kV AD
	EN 61000-4-3 HF radiated	10 V/m
	EN 61000-4-4 Burst	2 kV
	EN 61000-4-6 HF conducted	10 V
	EN 55011	class B
MTTF	[years]	2064
UL approval	UL approval number	C003
Mechanical data		
Weight	[g]	32.4
Mounting		flush mountable
Type of mounting		fastening clamp with combined slot / hexagon socket, width across flats 1.5
Cylinder type		T-slot cylinders
Dimensions	[mm]	25 x 5 x 6.5
Material		housing: PA; Fastening clamp: stainless steel
Displays / operating elements		
Display	Switching status	1 x LED, yellow
Accessories		
Items supplied		rubber memory stop: 1 cable clip: 1
Remarks		
Pack quantity		1 pcs.
Electrical connection - plug		
Cable: 1.2 m, PVC		
Connector: 1 x M12; coding: A; Locking: Hexagon nut, rotatable		
		

MK5177

T-slot cylinder sensor

MKT3020BBPKG/A/1,2MI-H/US



Connection

