

Catalog 9EM-TK-190-3

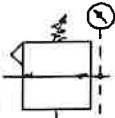
Basic 3/8" Body

Regulator R16

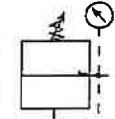
= "Most Popular"

B

Filters, Regulators, Lubricators



Relieving



Non-Relieving



R16-02-000

Features

- Non-Rising Adjustment Knob with Friction Lock Knob
- Standard with Two Full Flow 1/4" NPT / BSPT-Rc Gauge Ports
- Panel Mount Nut
- High Flow Capacity
- Balanced Valve Design for Excellent Regulation Characteristics

Specifications

Flow Capacity*	1/4	71.5 SCFM (33.7 dm ³ /s)
	3/8	80.5 SCFM (38.0 dm ³ /s)
	1/2	88.0 SCFM (41.5 dm ³ /s)
Adjusting Range Pressure	0 to 60 PSIG (0 to 4.1 bar) 0 to 125 PSIG (0 to 8.6 bar) 0 to 250 PSIG (0 to 17.2 bar)	
Maximum Supply Pressure	300 PSIG (20.7 bar)	
Operating Temperature	32° to 150°F (0° to 65.5°C)	
Port Size	NPT / BSPP-G	1/4, 3/8, 1/2
Gauge Port (2 ea.)	NPT / BSPT-Rc	1/4
Weight	lb. (kg)	1.7 (0.77)

* Inlet pressure 100 PSIG (6.9 bar), Secondary pressure 90 PSIG (6.2 bar).

Materials of Construction

Body	Zinc
Bonnet	PBT
Diaphragm	Nitrile / Zinc
Panel Nut	Acetal
Seals	Nitrile
Springs	Steel
Valve Assembly	Brass / Nitrile / Acetal

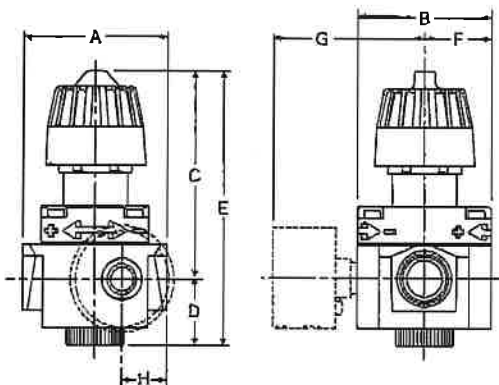
WARNING

Product rupture can cause serious injury.
Do not connect regulator to bottled gas.
Do not exceed maximum primary pressure rating.

CAUTION:

REGULATOR PRESSURE ADJUSTMENT – The working range of knob adjustment is designed to permit outlet pressures within their full range. Pressure adjustment beyond this range is also possible because the knob is not a limiting device. This is a common characteristic of most industrial regulators, and limiting devices may be obtained only by special design.

For best performance, regulated pressure should always be set by increasing the pressure up to the desired setting.



NOTE: 1.31" Dia. (33.3 mm) hole required for panel nut mounting.

Dimensions

Models	Inches (mm)		A	B	C	D	E	F	G	H
Standard Unit R16-XX-000	2.99 (76)	2.59 (66)	3.99 (101.3)	1.20 (30.5)	5.19 (132)	1.29 (33)	—	—	1.02 (25.9)	
With Gauge R16-XX-G00	2.99 (76)	2.59 (66)	3.99 (101.3)	1.20 (30.5)	5.19 (132)	1.29 (33)	2.80 (71)	—	1.02 (25.9)	

WILKERSON®

B110

Pneumatic Division
Richland, Michigan
www.wilkerSONcorp.com

www.comoso.com