

ITEM	2	Your Ref.	G271T6T2-J6AA0
Name	G271T6T2-J6AA0		

Duty	Type of liquid
Required duty	

EXECUTION

Submersible pump of heavy and hard construction, dry motor type with interposition of the oil chamber between the hydraulic part and the motor side.

CONSTRUCTION DATA

Weight (Kg)	41
Impeller type	GRINDER
Free passage (mm)	6
Discharge diameter (mm)	40
Cooling	By surrounding fluid
Motor type	M271T-1,6-400/50NN-IE3 - (Watertight, suitable for VFD)
Mechanical prot. Degree	IP 68
Rated motor power (kW)	1,6
Rated current (A)	3,1
Starting type	Direct
Supply	3ph 400V-50Hz
Nominal speed (rpm)	2783
Winding insulation	Class H
Duty service	S1 Continuous
Electric cable	N-Neoprene submersible, length 10 m
Shaft seal	Double
Liquid max. temperature (°C)	< 40
Surface painting	Epoxy painting

MATERIALS

Diffuser	Cast Iron EN-GJL-250
Shaft	DUPLEX ASTM A890 gr. 4A UNS 31803 SAF 2205
Impeller	Spheroidal Cast Iron EN-GJS-400-15 (EN 1563).
Upper seal	Nitrile Lip Seal
Lower seal	Silicon Carbide/Silicon Carbide
Screws	A4 Class AISI 316
O-Rings	Nitrile
Ball bearings	Ball Bearings, life lubricated
Grinder Device	Stainless Steel AISI 420

Nr. 1

Cod. Code 7002051	Peso totale Total weight 41 Kg	Materiale Construction GHISA EN-GJL-250 CAST IRON EN-GJL-250	Girante Impeller TRITURATORE GRINDER
--------------------------	---------------------------------------	---	---

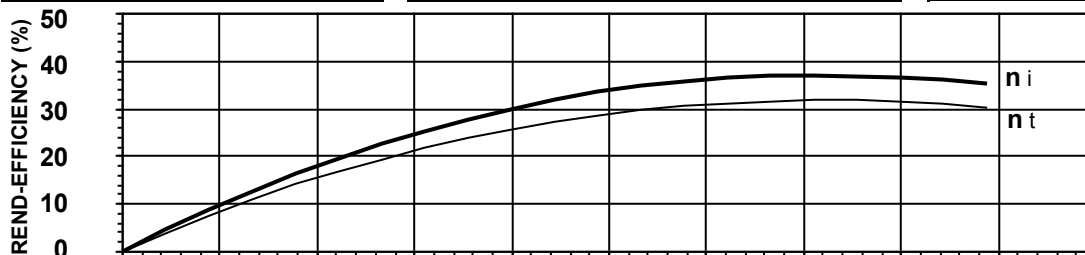
Idraulica - Hydraulic	
MANDATA DISCHARGE	40 mm
ASPIRAZIONE SUCTION	mm
PASSAGGIO LIBERO FREE PASSAGE	6 mm
DIAMETRO GIRANTE IMPELLER DIAMETER	136 mm

Motore- Motor M271T-1,6-400/50NN-IE3	
ALIMENTAZIONE POWER SUPPLY	3ph 400V-50Hz
CLASSE DI ISOLAMENTO INSULATION CLASS	H
VELOCITÀ NOMINALE NOMINAL SPEED	2783 rpm
POTENZA NOMINALE MOTORE RATED MOTOR POWER	1,6 kW
CORRENTE DI SPUNTO STARTING CURRENT	15,2 A
CORRENTE NOMINALE RATED CURRENT	3,1 A
MOMENTO DI INERZIA TOTALE TOTAL MOMENT OF INERTIA	0,0019 kgm²
	CARICO-LOADING
	4/4 3/4 1/2
FATTORE DI POTENZA POWER FACTOR	0,87 0,82 0,70
RENDIMENTO MOTORE MOTOR EFFICIENCY	86 % 84 % 83 %

Impiego - Application	
TEMP. MAX DEL LIQUID PUMPED LIQUID MAX TEMP.	< 40 °C
PROTEZIONE MECCANICA MECHANICAL PROT. DEGREE	IP 68
CAVO CABLE	4G1,5 H07RNF
CODICE DISEGNO DRAWING CODE	707_40_07_2
CURVA CURVE	T707-210

Rend. max - Best efficiency	
RENDIMENTO TOTALE TOTAL EFFICIENCY	31,9 %
RENDIMENTO IDRAULICO HYDRAULIC EFFICIENCY	37,1 %
POT. ASS. DALLA RETE ABS. POWER FROM MAINS	1,5 kW
PREVENZA HEAD	13,3 m
PORTATA CAPACITY	13,0 m³/h

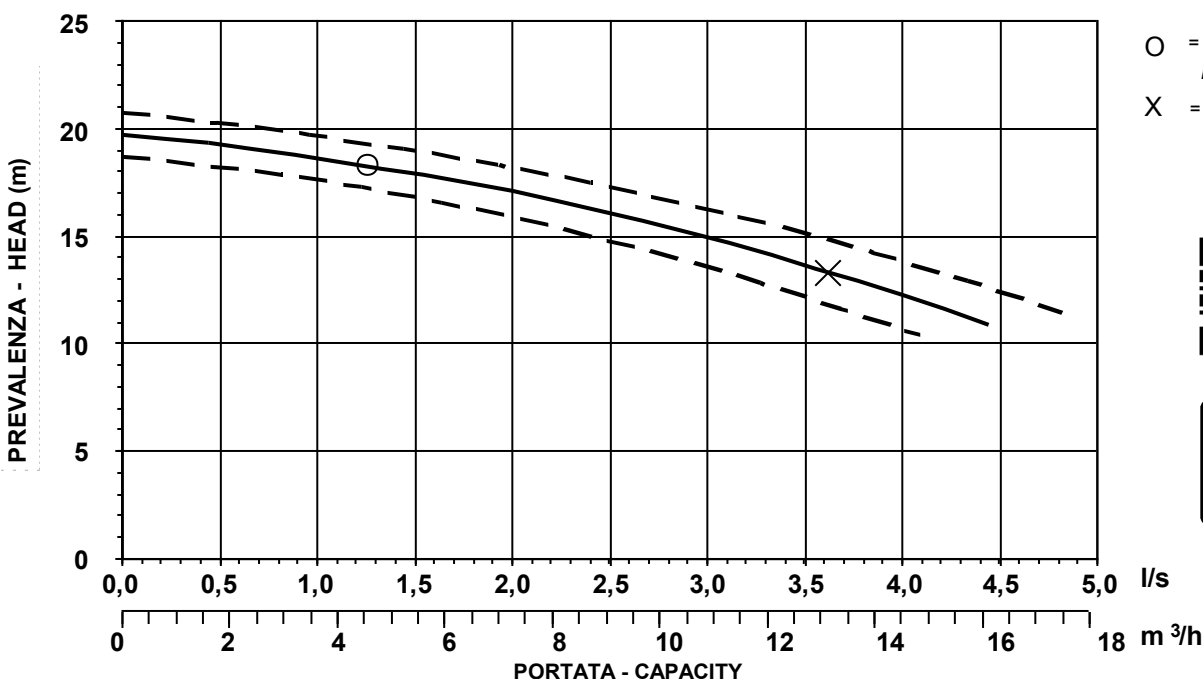
Protezioni - Protections	
PROTEZIONE TERMICA THERMAL PROTECTION	<input type="checkbox"/> NO
CONTROLLO INFILTRAZIONE HUMIDITY PROBE	<input type="checkbox"/> NO
II 2G Ex c k db IIB T4 Gb	<input type="checkbox"/> NO
MANTELLINO DI RAFFREDDAMENTO COOLING JACKET	<input type="checkbox"/> NO



η_i = Rendimento idraulico
Hydraulic efficiency
 η_t = Rendimento totale
Total efficiency

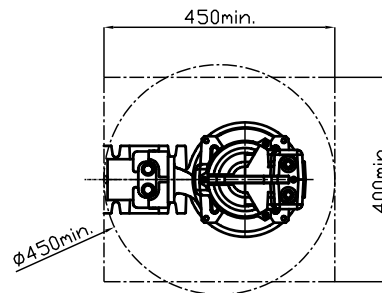
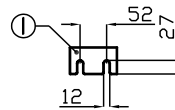
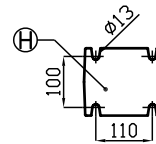
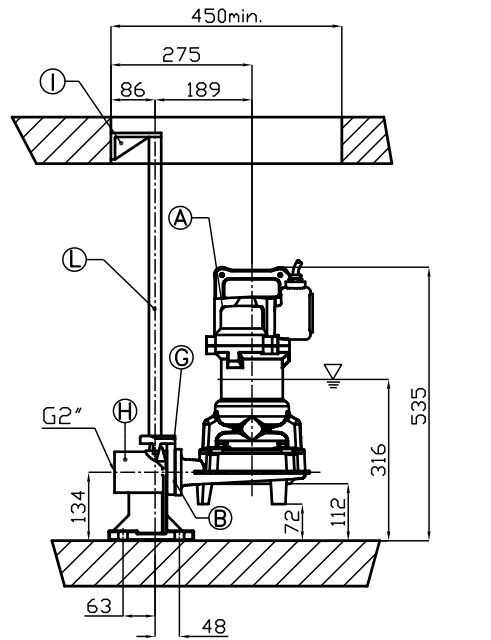
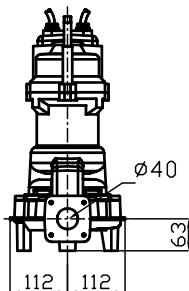
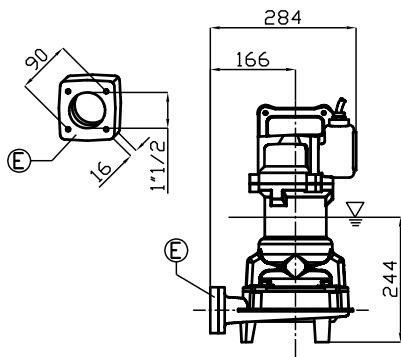
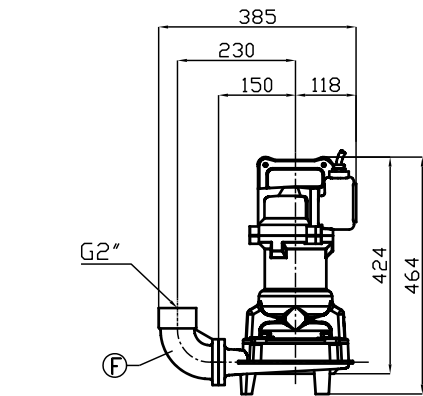


P1 = Potenza ass. dalla rete
Abs. power from mains
P2 = Potenza idraulica
Hydraulic power



O = Portata minima
Minimum capacity
X = Punto max rendimento
Best efficiency point





R

Pos.	Codice	Descrizione	Materiale	Peso Kg
Pos.	Code	Description	Material	Weight Kg
A	-	Elettropompa Sommersibile Submersible Pump		-
B	54.09310	Guarnizione DN50 Rubber joint DN50	Neoprene Neoprene	0,01
Type: R GPADN502T				
G	GCADN50	Controflangia accoppiamento 2 guide DN50 Double guide rail coupling flange DN50	GS400 Ghisa GS400 Cast-Iron	1,5
H	GBPACDN502T	Piede d'accoppiamento 2 guide DN50 Double guide coupling feet DN50	G250 Ghisa G250 Cast-Iron	6
I	SOP2TDN50	Sopporto tubi superiore 2 guide 3/4 Double guide rail upper support 3/4	G250 Ghisa G250 Cast-Iron	1,1
L	TG3/4Z	Tubo guida 3/4 Guide rail 3/4	Acciaio zincato Galvanized Steel	-
Type: S				
E	GF1.1/2T	Flangetta filettata 1"1/2 Threaded flange 1"1/2	G250 Ghisa G250 Cast-Iron	1
F	GCF2	Curva filettata 90° 2" Threaded elbow 90° 2"	G250 Ghisa G250 Cast-Iron	3

▽ LIVELLO MINIMO DI SOMMERGIBILITÀ STANDARD.
PER VERSIONE ATEX, COMPLETAMENTE SOMMERSA.

▽ MINIMUM SUBMERSIBLE LEVEL STANDARD.
FOR ATEX TYPE, COMPLETELY SUBMERGED.

S