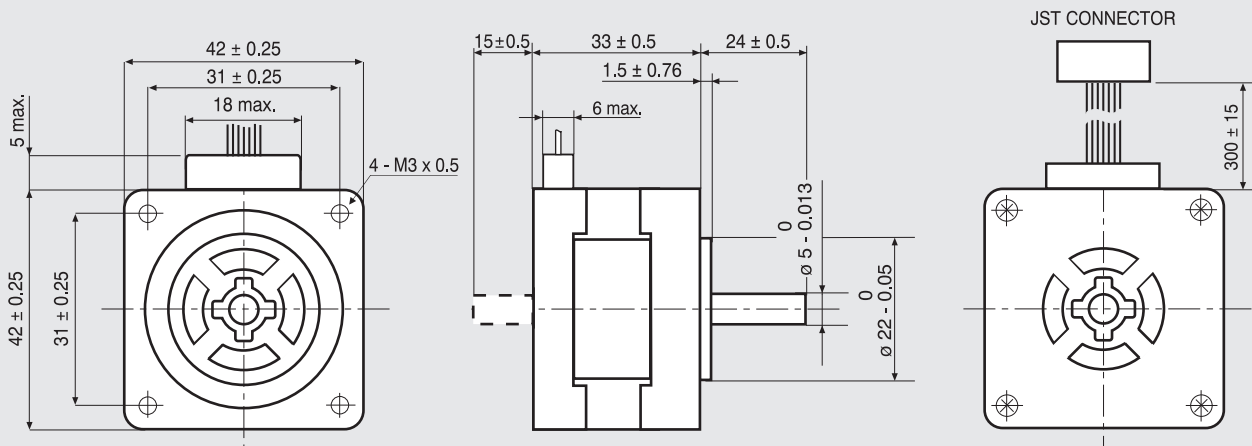


103-H5205-0351

SANYO DENKI
SANMOTION

Dimensions (Unit:mm)



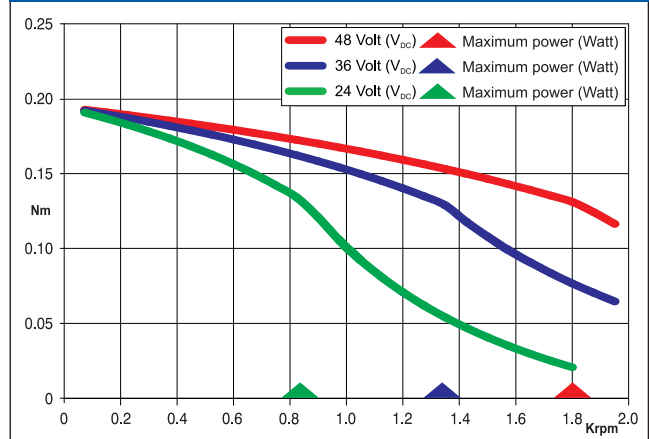
MOTOR CONNECTOR IS JST mod. EHR-6A
6 POLES FEMALE.
FOR CONNECTION USE JST
mod. B6B-EH-A MALE CONNECTOR.

FEATURES

MODEL	103-H5205-0351 (103-H5205-0312)	
BASIC STEP ANGLE	$1.8^\circ \pm 0.09^\circ$	
BIPOLAR CURRENT	(Amp)	0.7*
UNIPOLAR CURRENT	(Amp)	1.0
RESISTANCE	(Ohm)	3.6
INDUCTANCE	(mH)	3.3
BIPOLAR HOLDING TORQUE	(Ncm)	25
UNIPOLAR HOLDING TORQUE	(Ncm)	19
ROTOR INERTIA	(Kg $m^2 \times 10^{-7}$)	36
THEORETICAL ACCELERATION	(rad x sec. $^{-2}$)	69800
BACK E.M.F.	(V/Krpm)	16
MASS	(Kg)	0.23
LEADS CODE	IV	

Codes between brackets refer to double shaft models.
Le sigle fra parentesi si riferiscono ai modelli bialbero.

TORQUE/SPEED CURVE



(*) Bipolar series connection.
(*) Collegamento bipolare serie.

ORANGE / ARANCIO

WHITE / BIANCO

BLUE / BLU

RED / ROSSO

BLACK / NERO

YELLOW / GIALLO

IV

Suggested driver: contact R.T.A.



R.T.A. s.r.l.
Via E. Mattei - Fraz. Divisa
27020 MARCIGNAGO (PV) ITALY
Tel. +39.0382.929.855 - Fax +39.0382.929.150
www.rta.it

R.T.A. Deutschland GmbH
Bublitz Straße 34
40599 DÜSSELDORF (Germany)
Tel. +49.211.749.668.60 - Fax +49.211.749.668.66
www.rta-deutschland.de

R.T.A. IBERICA-Motion Control Systems S.L.
C/Generalitat 22, 1º 3º
08850 GAVA - BARCELONA (Spain)
Tel. +34.936.388.805 - Fax +34.936.334.595
www.rta-iberica.es