

EZstrip™ Transfer Pump

The patented split coupling provides a quick and easy way to disassemble and maintain a progressing cavity pump in place.



Typical Applications

- > Domestic and industrial effluent
- > Hydrated lime slurry
- > Sludge
- > Shear sensitive latex emulsion
- > Milk curds, sauces, fruit juices
- > Industrial chemicals and detergents
- > Starch slurries
- > Coating clays, gypsum and silicate
- > Paper stocks
- > Agricultural slurries

Capacity

- > up to 727 gal/min

Pressure

- > up to 174 psi

Temperature

- > 14°F up to 212°F

Features & Benefits

Maintain-in-Place

Full drive train including rotor, stator, shaft, rod, and seal can be removed in minutes with no electrical disconnection required.

Time Savings

Reduce maintenance time from eight hours to thirty minutes and de-ragging time from four hours to six minutes.

Drive Train Assembly

Pre-assembled drive train available with 2-year warranty to allow a faster reassembly time.

Eliminate Dismantling Lengths

Suction and discharge ports remain connected to the pipe work.

No De-Rating Needed

Operation parameters unaffected since design has no effect on flow and pressure.

Low running speeds

Reduced wear for a longer working pump life which extends the periods between routine maintenance. Think of the savings that could be realized on abrasive applications.

Interchangeability

Compatible with new pumps or retrofitted into existing Compact C and B-Range installations.

Reduce Cost of Ownership

Minimize spares consumption due to easy de-rag and less dry run occurrences.

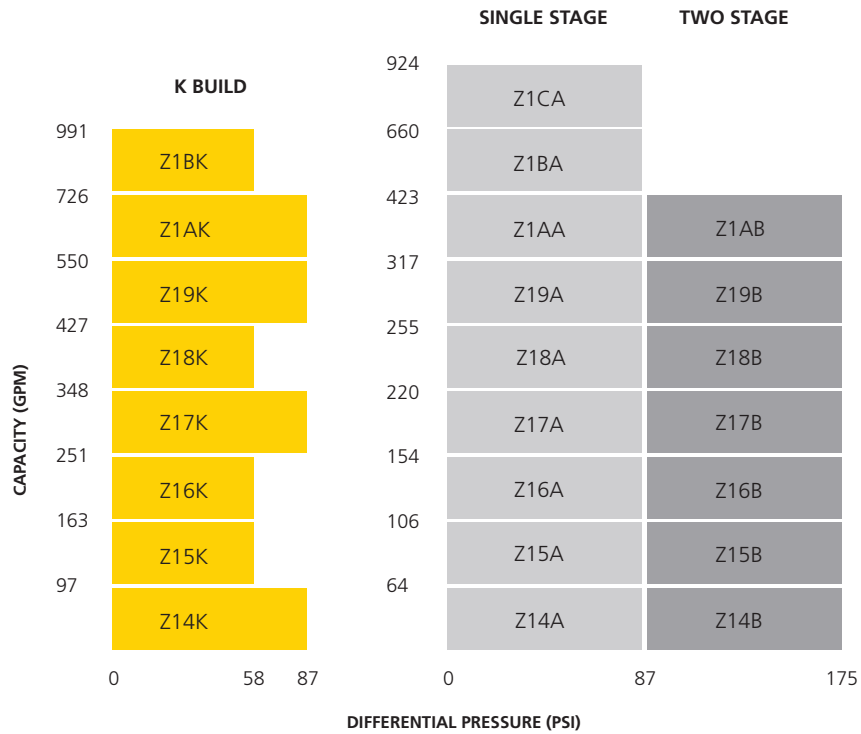
No Special Tools Needed

Pump requires only a wrench and an allen key to maintain.

Materials of Construction

Available in cast iron or stainless steel with a choice of rotor and stator materials to suit individual applications.

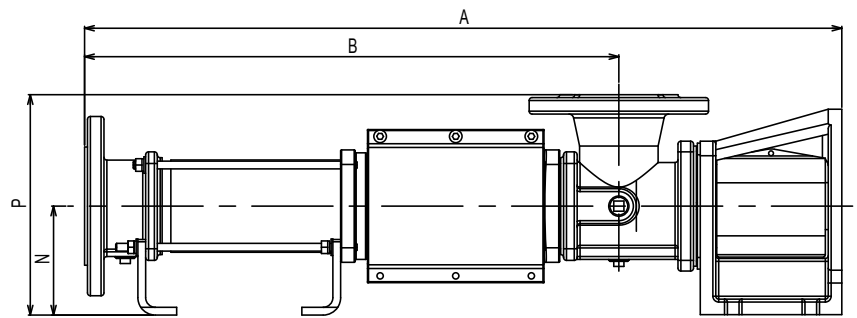
Performance



Dimensions

MODEL	A	B	N	P
Z14K	38.8	29.8	4.4	9.0
Z15K	43.4	34.7	4.4	9.1
Z16K	50.1	40.8	4.9	10.0
Z17K	58.2	47.2	5.9	12.2
Z18K	65.1	54.1	5.9	12.2
Z19K	73.7	61.3	6.3	13.6
Z1AK	79.6	67.2	6.3	13.6
Z1BK	95.9	79.1	8.9	17.7
Z14A	30.8	21.7	4.4	9.0
Z14B	38.8	29.8	4.4	9.0
Z15A	33.2	24.5	4.4	9.1
Z15B	45.6	34.7	4.9	9.6
Z16A	97.8	28.5	4.9	10.0
Z16B	53.4	40.8	5.9	11.0
Z17A	43.7	32.7	5.9	12.2
Z17B	58.2	47.2	5.9	12.2
Z18A	49.0	38.0	5.9	12.2
Z18B	68.6	54.1	6.3	12.6
Z19A	55.5	43.1	6.3	13.6
Z19B	73.7	61.3	6.3	13.6
Z1AA	58.7	46.3	6.3	13.6
Z1BA	70.6	53.8	8.9	17.7
Z1CA	89.3	63.4	9.8	20.1

All dimensions are in inches and for guidance only.
For more information about the EZstrip™ Transfer Pump, visit www.moyno.com/EZstrip.



www.moyno.com

U.S.A. +1 937.327.3553
Outside U.S.A. 877.4UMOYNO

© 2013 by Moyno | Moyno is a brand of NOV Mono | NOV Mono is a division of National Oilwell Varco



Printed in U.S.A.
EZP R1