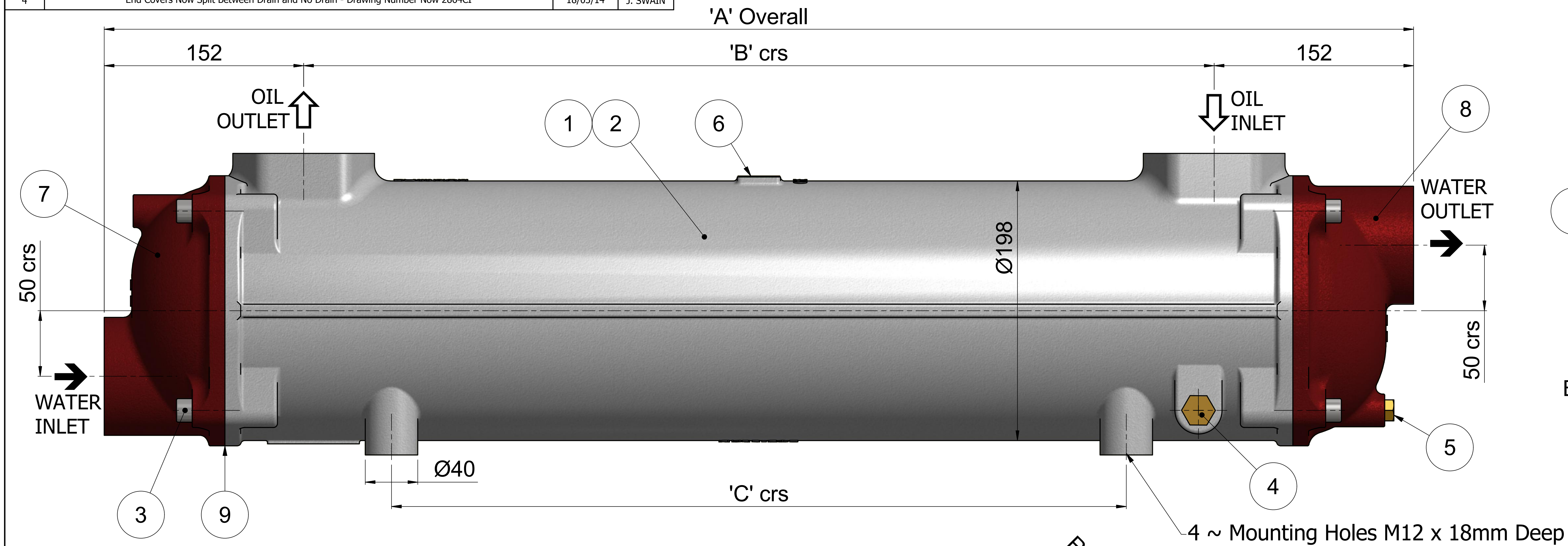
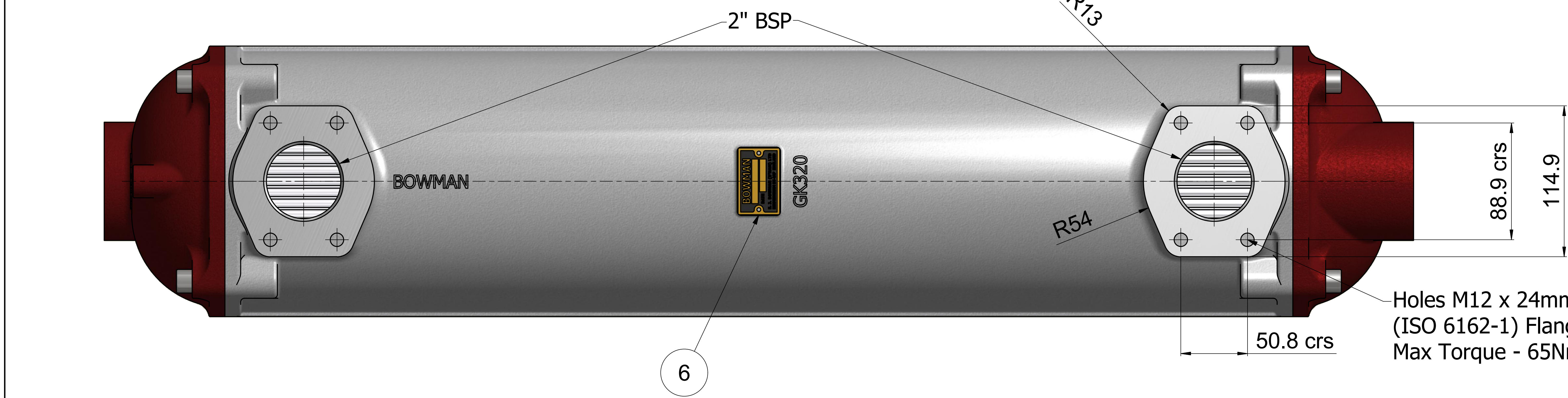
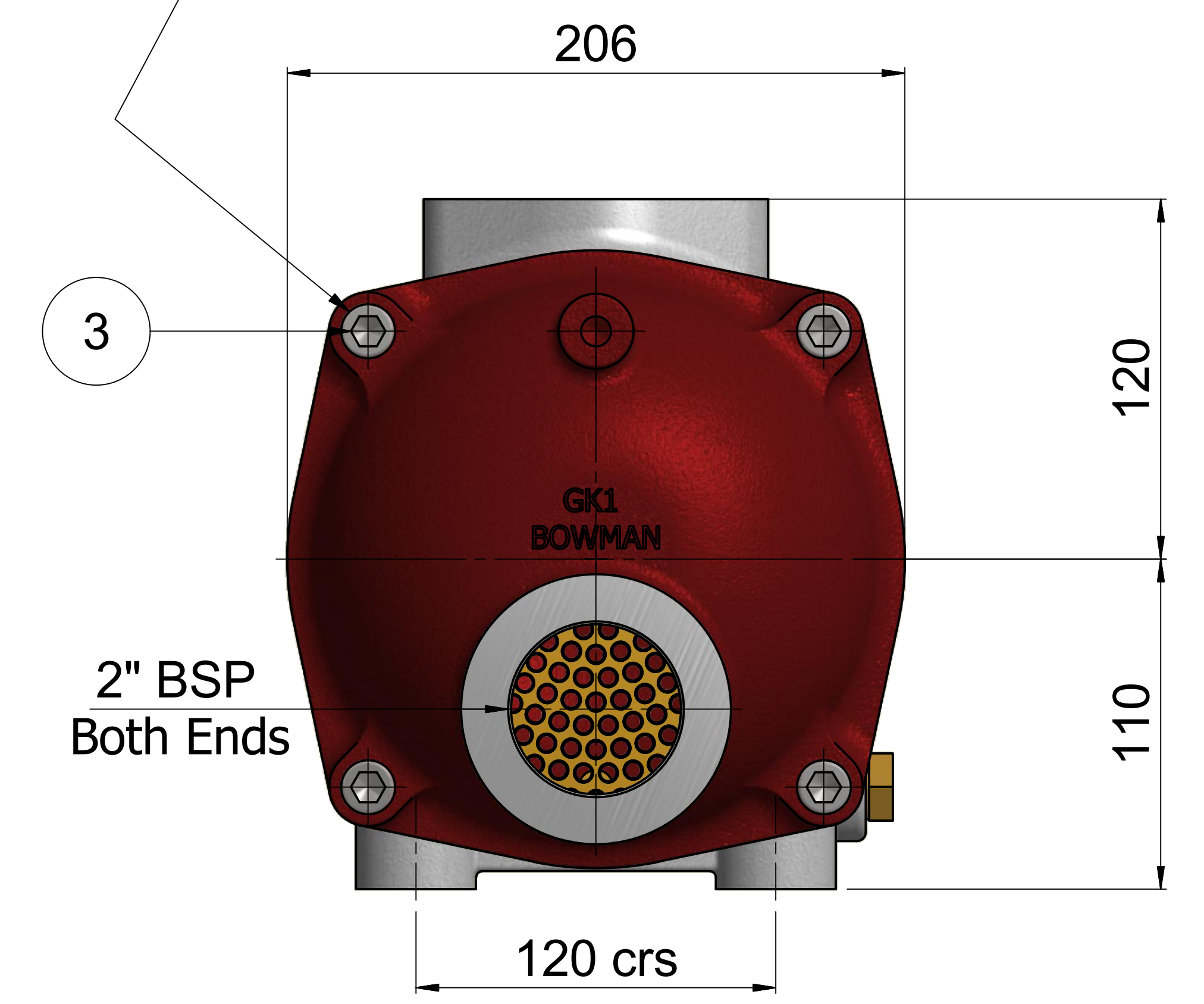


ISS No	MODIFICATION	DATE	SIGN
2	Notes & BoM Corrected	13/03/13	J. SWAIN
3	New Body Part No. BoM Updated, SAE/Socket Screw Max Torque Note Added, VITON Seal Option Added	11/09/13	J. SWAIN
4	End Covers Now Split Between Drain and No Drain - Drawing Number Now 2864CI	18/03/14	J. SWAIN

THIS DRAWING IS STRICTLY PRIVATE AND CONFIDENTIAL AND IS THE SOLE PROPERTY OF E.J. BOWMAN (BIRMINGHAM) LTD. IT IS SUBJECT TO BOTH COPYRIGHT AND DESIGN RIGHT PROTECTION. ANY REPRODUCTION OF THIS DRAWING IN PART OR WHOLE SHALL BE MADE ONLY WITH THE WRITTEN CONSENT OF A DIRECTOR OF THE COMPANY.



4 ~ Socket Screws M12 x 50mm Long Each End, Removal Of These Will Enable The End Covers And Tube Stack To Be Removed. Screw Tightening Torque - 54Nm



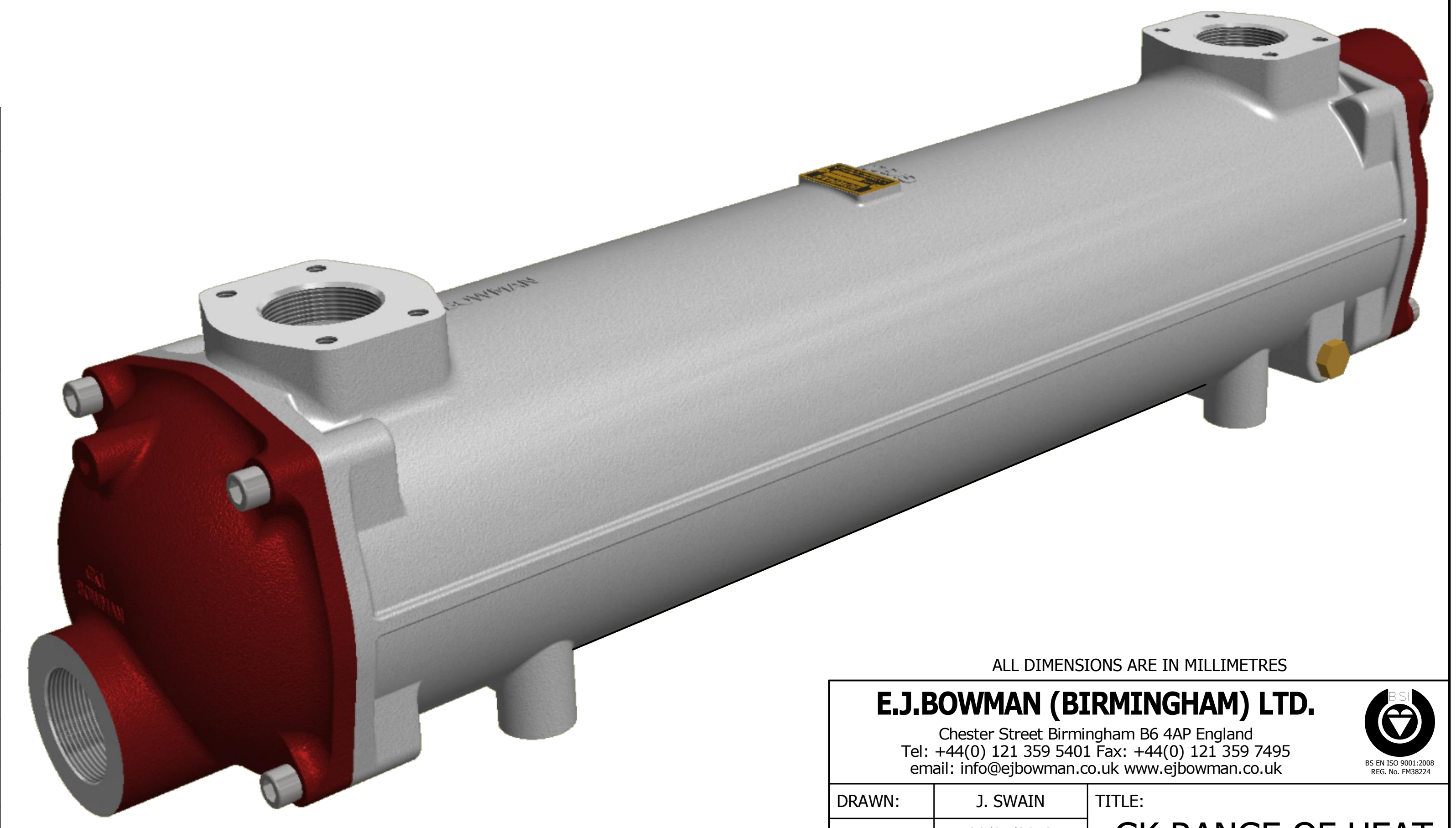
GK Range Dimensions			
TYPE	'A'	'B'	'C'
GK190-3	674	370	236
GK250-4	820	516	382
GK320-5	998	694	560
GK400-6	1200	896	762
GK480-7	1404	1100	966
GK600-8	1708	1404	1270

Nitrile Seals
Eg/ GK190-1658-3

Part No.	Drg No.	Qty	Description	Item	Material
OS69NT	3297	2	'O' RING SEAL	9	NITRILE
GK001-2864CI-DR	2864CI	1	GK1 END COVER - 2" BSP - WITH DRAIN	8	CI
GK001-2864CI	2864CI	1	GK1 END COVERS - 2" BSP - WITHOUT DRAIN	7	CI
3594	3594	1	NAMEPLATE	6	BRASS
915M	-	1	DRAIN PLUG - 1/4" BSP	5	MS
916	-	1	DRAIN PLUG - 1/2" BSP	4	BRASS
HS12X50	-	8	SOCKET SCREWS - M12 x 50mm	3	MS
2315-7TN1A	2315-8	1	T/STACK GK600 - NF	2	CN 90/10
2315-6TN1A	2315-7	1	T/STACK GK480 - NF	2	CN 90/10
2315-6TN1A	2315-6	1	T/STACK GK400 - NF	2	CN 90/10
2315-5TN1A	2315-5	1	T/STACK GK320 - NF	2	CN 90/10
2315-4TN1A	2315-4	1	T/STACK GK250 - NF	2	CN 90/10
2315-3TN1A	2315-3	1	T/STACK GK190 - NF	2	CN 90/10
GK060-2865NF-8AL7	2865NF-8	1	GK60 BODY (GK600) - NF - 2" BSP	1	AL - LM6M
GK048-2865NF-7AL7	2865NF-7	1	GK48 BODY (GK480) - NF - 2" BSP	1	AL - LM6M
GK040-2865NF-6AL7	2865NF-6	1	GK40 BODY (GK400) - NF - 2" BSP	1	AL - LM6M
GK032-2865NF-5AL7	2865NF-5	1	GK32 BODY (GK320) - NF - 2" BSP	1	AL - LM6M
GK025-2865NF-4AL7	2865NF-4	1	GK25 BODY (GK250) - NF - 2" BSP	1	AL - LM6M
GK019-2865NF-3AL7	2865NF-3	1	GK19 BODY (GK190) - NF - 2" BSP	1	AL - LM6M

Viton Seals
Eg/ GK190-1658-3VT

Part No.	Drg No.	Qty	Description	Item	Material
OS69VT	3297	2	'O' RING SEAL	9	VITON
GK001-2864CI-DR	2864CI	1	GK1 END COVER - 2" BSP - WITH DRAIN	8	CI
GK001-2864CI	2864CI	1	GK1 END COVERS - 2" BSP - WITHOUT DRAIN	7	CI
3594	3594	1	NAMEPLATE	6	BRASS
915M	-	1	DRAIN PLUG - 1/4" BSP	5	MS
916	-	1	DRAIN PLUG - 1/2" BSP	4	BRASS
HS12X50	-	8	SOCKET SCREWS - M12 x 50mm	3	MS
2315-8TN1A	2315-8	1	T/STACK GK600 - NF	2	CN 90/10
2315-7TN1A	2315-7	1	T/STACK GK480 - NF	2	CN 90/10
2315-6TN1A	2315-6	1	T/STACK GK400 - NF	2	CN 90/10
2315-5TN1A	2315-5	1	T/STACK GK320 - NF	2	CN 90/10
2315-4TN1A	2315-4	1	T/STACK GK250 - NF	2	CN 90/10
2315-3TN1A	2315-3	1	T/STACK GK190 - NF	2	CN 90/10
GK060-2865NF-8AL7	2865NF-8	1	GK60 BODY (GK600) - NF - 2" BSP	1	AL - LM6M
GK048-2865NF-7AL7	2865NF-7	1	GK48 BODY (GK480) - NF - 2" BSP	1	AL - LM6M
GK040-2865NF-6AL7	2865NF-6	1	GK40 BODY (GK400) - NF - 2" BSP	1	AL - LM6M
GK032-2865NF-5AL7	2865NF-5	1	GK32 BODY (GK320) - NF - 2" BSP	1	AL - LM6M
GK025-2865NF-4AL7	2865NF-4	1	GK25 BODY (GK250) - NF - 2" BSP	1	AL - LM6M
GK019-2865NF-3AL7	2865NF-3	1	GK19 BODY (GK190) - NF - 2" BSP	1	AL - LM6M



FOR REVISION HISTORY REFER TO CHART DRAWING NUMBER '8000' NF - Normal Flow

ALL DIMENSIONS ARE IN MILLIMETRES

E.J.BOWMAN (BIRMINGHAM) LTD.
Chester Street Birmingham B6 4AP England
Tel: +44(0) 121 359 5401 Fax: +44(0) 121 359 7495
email: info@ejbowman.co.uk www.ejbowman.co.uk

DRAWN:	J. SWAIN	TITLE:	GK RANGE OF HEAT EXCHANGERS - NF	
DATE:	20/05/2012	DRG No:		1658
REDRAWN:				
DATE:				
CHECKED:				
SCALE:	1:1.5			