

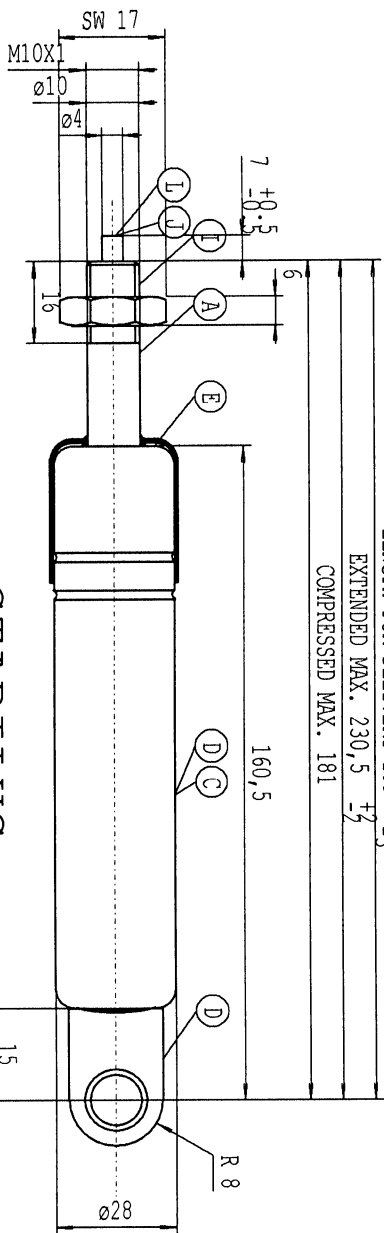
Twin seal

Unregistered Copy

Print-out is not subject to the modification service

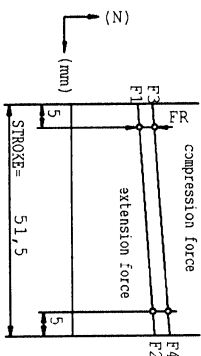
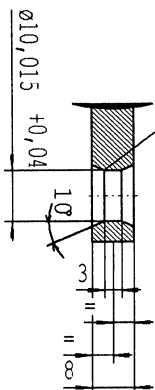
We reserve all rights to this drawing, to any patents or patent registrations related hereto, and to the duplication, retransmission by third parties and misc. use. Any use of this drawing is not permitted without the written consent of STABILUS.

LENGTH FOR DELIVERY 189  $\pm 3$   
 EXTENDED MAX. 230,5  $\pm 3$   
 COMPRESSED MAX. 181



Intended for internal use and customer

**STABILUS**  
**BLOC-O-LIFT**  
 NICHT OEFFENEN HOHER DRUCK  
 DO NOT OPEN HIGH PRESSURE  
 STABILUS STANDARD



FRmax=F3-F1

X=F2/F1=1,50  
 Nozzle  $\varnothing 0,9$

Forces (statically measured)		
F1 (N)	F4 max (N)	FR max (N)
extension force 330 $\pm 40$	compression force 670	friction 60

- A Nislade black
- C print white
- D black painted
- E border flange oiled
- I max. tightening torque: 25 Nm
- J Shearing burr max. 0.2 mm
- L bonderized
- Milled, without paint

NEW	SERIE	ÜBERARBEITUNG	ÜBERARBEITUNG	FR=60 N, F4max=650 N
OLD	VERSUCH	-	-	FR=80 N, F4max=660 N
CHG. NO.	-----	53738	537119	530816
CHANGE NAME	ZI.02.96 Schmass / 1.6.09 SCHAEFER	14.6.09 SCHAEFER	1.2.01 SCHAEFER	
NO.	7	3	4	5

DIMENSIONS WITH-  
 OUT TOLERANCE

+/-1

**BLOC-O-LIFT**  
 06 41 1024 20 051

- compression and extension forces measured acc. to STAB-Spec. 10009033
- The warning label must not be removed or obscured.
- Protect piston rod from dirt, paint and damage
- Disposal acc. to STAB-Spec.10009375
- Drawing not true-to-scale
- Locking force at +20° C in extension 1500 N
- Installation with piston rod upwards
- release-force of valve acc. to STAB-Spec. 10005233
- Observe installation instructions according to STAB-Spec. 10005593
- Permissible operating temperature range -30°C to +80°C
- To release: press dia. pin by min. 2.5 mm locking!
- release the pin completely
- Press release max. 6.0 mm
- The gas spring must not be mechanically modified or damaged.
- Deflection with closed piston valve is smaller than 3 mm at a compression force of 3000 N, if the piston rod in extension or compression speed does not exceed 40 mm/s

**STABILUS**

Modifications in favour of technical process reserved

DATE	17.10.1994	NAME	T. Rickenberg
Document No.	10005536	CHECKED	

1599KH

E