

Air Start Valve

Model 4123C

Overview

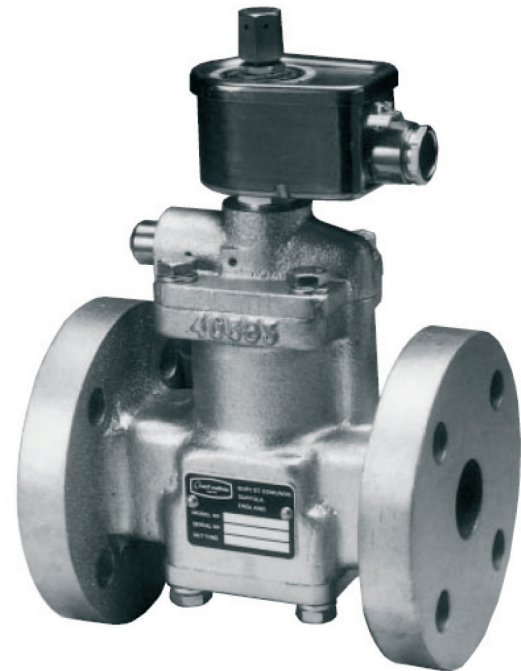
The Model 4123C is a pilot-operated control valve with instant open-close action handling high flow rate air at high pressure designed for use on diesel and gas engine air starting systems.

Typical applications

- Designed for use on diesel and gas engine air starting systems

Key benefits

- Electric, pneumatic or manual actuation - can be used in many systems
- On/off with vent action
- Flanged or screwed ports - suitable for any system
- Solenoid versions to 35 bar (500 psi) rating



**Model 4123C
Air Start Valve**

Air Start Valve - 4123C

Specification

Valve body

Material	Bronze to BS 1400 LG2	
Seals material	Nitrile rubber	
Valve flanges	DIN 2503, ND40	or ports threaded 1" NPT or BSPT
Vent port threaded	3/8" NPT or BSPT	
Minimum line pressure	3.0 bar	44 psi
Maximum line pressure	35.0 bar	500 psi
Valve Cv factor	13	
Net weight	6.5 - 7.2 kg	

Manual operator push button

Stroke	3mm (approximate)
Maximum force required	11 kg (25 lbs)

Air pilot operator

Minimum pilot pressure	3.0 bar	44 psi
Maximum pilot pressure	17.2 bar	250 psi
Maximum line pressure	35.0 bar	500 psi
Weatherproof	IP67	

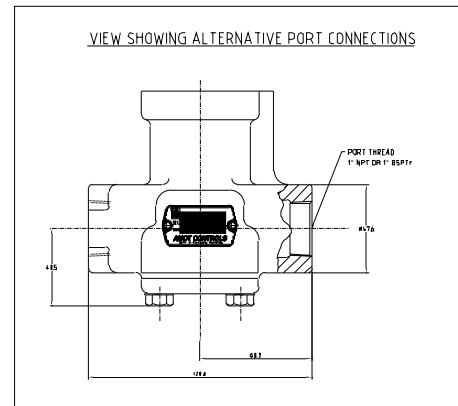
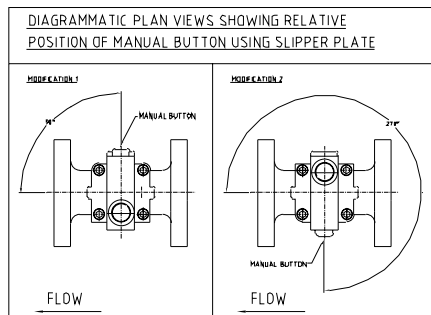
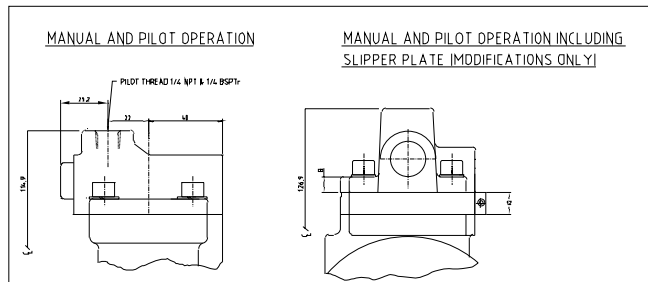
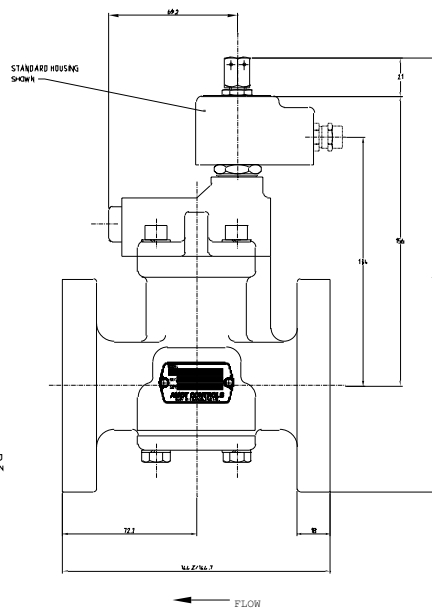
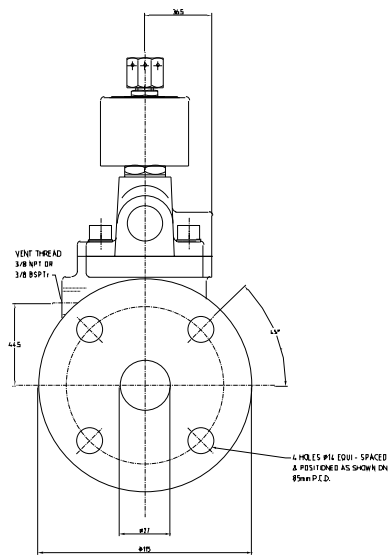
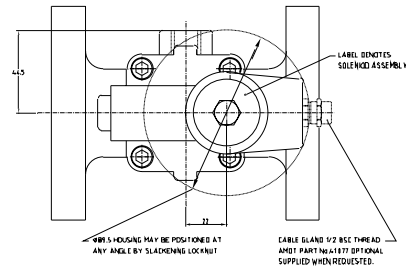
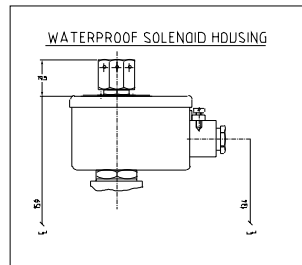
Electrical solenoid operator

Voltage	12 or 24 volts DC Continuously rated, consuming 8 Watts	110 or 220 volts AC*
Weatherproof	IP43 (standard)	IP67 (optional)
Maximum line pressure	27 bar	400 psi

* For AC voltage operation, the valve is supplied with flying leads and terminal box containing an encapsulated rectifier and terminal block.

Air Start Valve - 4123C

Dimensions



Air Start Valve - 4123C

Flow data

$$\Delta P = \left(\frac{Q}{1360 C_v} \right)^2 \left(\frac{G (T + 460)}{P_{in}} \right)$$

Pressure drop through valve can be calculated using the formula opposite.

Q = Flow-standard cubic feet per hour

P_{in} = Inlet pressure PSIA

T = Temperature in °F

G = Specific gravity of gas

How to order

Use the tables below to select the unique specification of your 4123C air start valve.

Example Code	4123C	1	1	1	0	A	A	-AA	
Valve Type									
Valve Type	4123C								4123C Air Start Valve
Model Type									
Model Type	1								Manual and air pilot
	2								Manual and electrical solenoid
Valve Line Connection									
Valve Line Connection	1								Flanges to ND40: DIN 2503
	2								Threaded ports: 1 inch BSPT
Pilot Thread: Vent Thread									
Pilot Thread: Vent Thread	1								1/4" BSP Tr : 3/8" BSP Tr vent thread (not on solenoid versions)
									NPT - non standard, please contact AMOT
Manual Operator Position									
Manual Operator Position	0								Standard - push button over valve exit port
	1								Push button rotated 90° clockwise
	2								Push button rotated 270° (rotated push button increases valve height by 11mm)
Special Requirements									
Special Requirements	A								12 Volt DC : 10.8 - 13.8 VDC
	B								24 Volt DV : 21.6 - 27.6 VDC
	G								110 Volt AC : 99 - 126.5 VAC
	H								220 Volt AC : 198 - 253 VAC
	N								Without solenoid - ie air pilot models (all coils are continuously rated, consuming 8 Watts)
Solenoid Housing Type									
Solenoid Housing Type	A								Standard housing to IP43
	B								Waterproof housing to IP67
	N								Without housing - ie Air Pilot models
Coil Voltage (Solenoid Operator)									
Coil Voltage (Solenoid Operator)	-AA								Standard construction - no special requirements
	-***								Special requirements - contact AMOT

Americas

AMOT USA
8824 Fallbrook Dr
Houston, TX 77064
USA

Tel +1 (281) 940 1800
Fax +1 (713) 559 9419
Email general: sales@amotusa.com
orders: orders@amotusa.com
customer service: cs@amotusa.com

Europe, Middle East and Africa

AMOT
Western Way
Bury St Edmunds
Suffolk, IP33 3SZ
England

Tel +44 (0) 1284 762222
Fax +44 (0) 1284 760256
Email info@amot.com

AMOT Controls GmbH
Rondenbarg 25
22525 Hamburg
Germany

Tel +49 (0) 40 8537 1298
Fax +49 (0) 40 8537 1331
Email germany@amot.com

AMOT Russia
#34 Shabolovka Street
Building 2
Moscow 115419
Russia

Tel +7 495 617 12 93
Fax +7 495 913 97 65
Email russia@amot.com

Asia and Australasia

AMOT Shanghai
Rm 308, Building No A8
Jiahua Business Center
808 Hongqiao Road
Shanghai 200030
China

Tel +86 (0) 21 6447 9708
Fax +86 (0) 21 6447 9718
Email shanghai@amot.com

AMOT Singapore
10 Eunon Road 8 #12-06
Singapore Post Centre
Singapore 408600

Tel +65 6408 6265
Fax +65 6293 3307
Email singapore@amot.com