

# SPRING PUMPS ELECTRIC MOTOR



Manufacturer: SACEMI-GAMAR s.r.l.  
Model: ZCO 71 B4

**0.25 kW - 4 Poles IP55 F/B 230V 50Hz**

ELECTRICAL DATA		50 Hz				50 Hz	
Rated Voltage	Volt	230	<b>Current</b>	Rated	<b>In</b>	A	2.1
Rated Power Output	kW	0.25		Starting	<b>Is</b>	A	5.04
Phases	-	1		<b>Is/In</b>		-	<b>2.4</b>
Poles	-	4	<b>Torque</b>	Rated	<b>Mn</b>	Nm	1.74
Rated Motor Speed	rpm	1370		Starting	<b>Ms</b>	Nm	1.29
Efficiency Class	-	-		Maximum	<b>Mm</b>	Nm	3.13
Efficiency Rated Power [100% Max Load ]	%	55.7		<b>Ms/Mn</b>		-	<b>0.74</b>
				<b>Mm/Mn</b>		-	<b>1.8</b>
			<b>Capacitor</b>	Run [450 V]		µF	12.50
				Start [250 V]		µF	-
Cos φ	-	0.93	<b>Starting Type</b>	<b>Direct on line</b>			

GENERAL DATA			
Standard and Specifications	-	<b>IEC – CENELEC CEI-UNEL – BS – NFC DIN-VDE - UNE</b>	Frame Size - <b>71</b>
Type of Costruction	-	<b>IM B14-V1 (without Canopy)</b>	Frame Material - <b>Aluminium</b>
Mechanical Protection Degree (motor enclose)	-	<b>IP55</b>	Mechanical Protection Degree (terminal box) - <b>IP55</b>
Method of Cooling TEFC	-	<b>IC 411</b>	Vibration Class - <b>N (Standard)</b>
Insulation	-	<b>F/B</b>	Duty Type - <b>S1</b>
Tropical Finish	-	<b>NO</b>	Motor Type - <b>Squirrel-Cage</b>
Direction of Rotation	-	<b>CCW</b>	Estimated Empty Weight - <b>6.4</b> kg

MECHANICAL DATA			
Noise 50/60 Hz	dB(A)	<b>43 / 47</b>	Moment of Inertia - <b>0.8</b> 10 <sup>-3</sup> Kg <sup>m</sup> <sup>2</sup>
Bearing AS	-	<b>6202 2ZC3</b>	Bearing BS - <b>6202 2ZC3</b>
Type Bearing	-	<b>Ball</b>	Regreasing device - <b>NO</b>
Type of Lubrification	-	-	Relubrication interval at 40°C / 25°C - <b>h</b>
Quantity of grease for relubrication	gr	-	Painting / Colour - <b>Manufacturer STD</b>

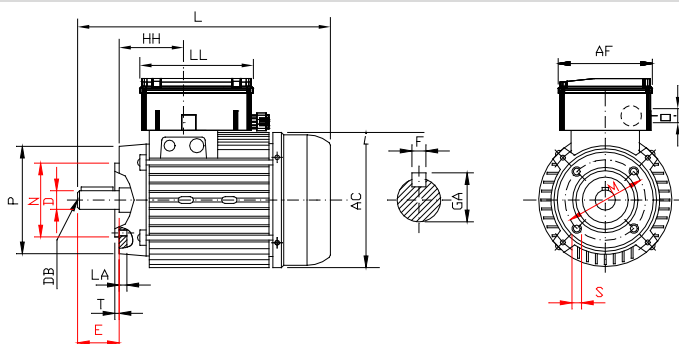
TERMINAL BOX		
Material of terminal box	-	<b>Plastic</b>
Terminal screw thread	-	<b>M4</b>
Cable Diameter min / max	mm	<b>5 / 11</b>
Cable gland	-	<b>PG11</b>
Type of terminal box	-	-
Max cable diameter	mm <sup>2</sup>	-
Cable entry	-	<b>See general arrangement dwg</b>

Connection diagram for asynchronous motors  
single phase motor - capacitor *permanently*



EXPLOSION PROTECTION		
Explosion Proof Enclosure	-	<b>NO</b>

## DIMENSIONAL DRAWING



### OVERALL DIMENSION

AC	AF	HH	L	LL	O
141	92	73	247	121	PG11

### COUPLING

LA	M	N	P	S	T
8	85	70	105	M6	2.5

### SHAFT

D	DB	E	F	GA
11	M4	23	4	12.5

Your Choice,  
Our Commitment