



MLFB-Ordering data: **1LE1003-0EB42-2KZ4-Z**
D40+H03+H04+L25+Q3A

Motor type: **1AV3094B**

Client order no.:

Item no.:

Order no.:

Consignment no.:

Offer no.:

Project:

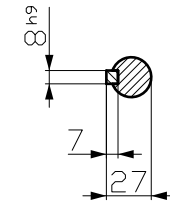
Remarks:

U [V]	Δ/Y	f [Hz]	P		I [A]	n [1/min]	M [Nm]	NOM. EFF at ... load [%]			Power factor at ... load			I _A /I _N I _A /I _N	M _A /M _N T _f /T _N	M _k /M _N T _B /T _N	IE-CL
			[kW]	[hp]				4/4	3/4	2/4	4/4	3/4	2/4				
230	Δ	50	1.50	- / -	5.60	1445	10.0	85.3	85.9	84.9	0.80	0.73	0.60	7.2	2.7	3.6	IE3
400	Y	50	1.50	- / -	3.15	1445	10.0	85.3	85.9	84.9	0.80	0.73	0.60	7.2	2.7	3.6	IE3
460	Y	60	1.75	- / -	3.15	1740	9.6	86.5	87.0	86.9	0.80	0.73	0.61	7.5	2.6	3.7	IE3
460	Y	60	1.50	- / -	2.85	1755	8.2	86.5	86.4	84.6	0.77	0.69	0.57	8.4	3.0	4.3	MG1
IM B14 / IM 3601		FS 90 L		19 kg		IP55		IEC/EN 60034		IEC, EN, CSA							

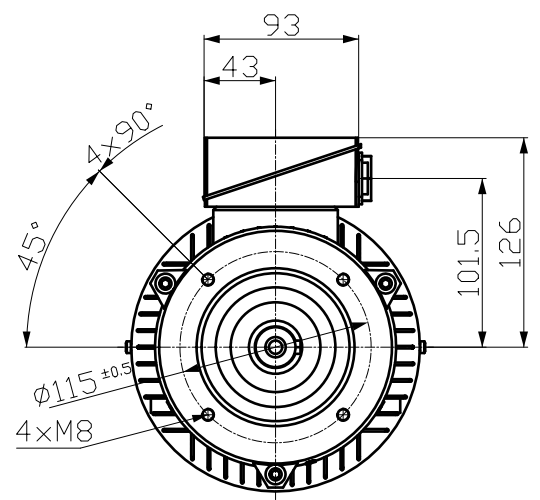
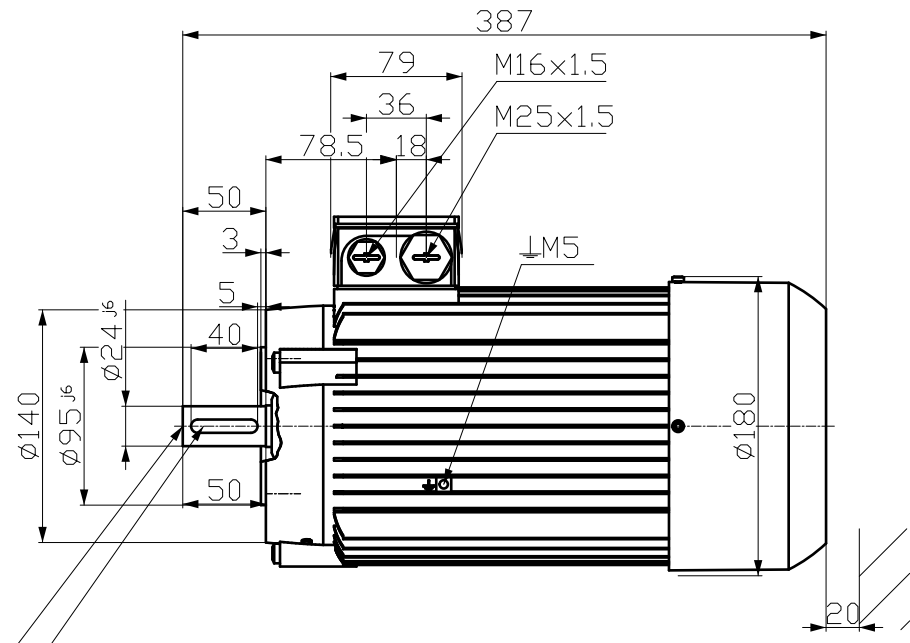
Mechanical data			Terminal box	
Sound pressure level 50Hz/60Hz (load)	56 dB(A)	58 dB(A)	Terminal box position	top
Moment of inertia	0.0049 kg m ²		Material of terminal box	Aluminium
Bearing DE NDE	6305 2Z C3	6304 2Z C3	Type of terminal box	TB1 E00
Bearing lifetime	40000 h		Contact screw thread	M4
Lubricants	Esso Unirex N3		Max. cross-sectional area	1.5 mm ²
Regreasing device	No		Cable diameter from ... to ...	9.0 mm - 17.0 mm
Grease nipple	- / -		Cable entry	1xM25x1,5-1xM16x1,5
Type of bearing	Preloaded bearing DE		Cable gland	2 plugs
Condensate drainage holes	Yes		<div style="border: 1px solid black; padding: 5px; text-align: center;"> Special design (5) </div> <ul style="list-style-type: none"> D40 Canadian regulations (CSA) H03 Condensation drain holes in end shield H04 External grounding at housing L25 Double sides reinforced bearings for DE and NDE, Type 63 Q3A 3 Bi-metallic sensors (opener) for tripping (2 terminals) 	
External earthing terminal	Yes			
Vibration severity grade	A			
Insulation	155(F) to 130(B)			
Duty type	S1			
Direction of rotation	bidirectional			
Frame material	aluminum			
Data of anti condensation heating	-/-			
Coating (paint finish)	Standard paint finish C2			
Color, paint shade	RAL7030			
Motor protection	3 Bi-metallic sensors (opener) for tripping (2 terminals)			
Method of cooling	IC411 - self ventilated, surface cooled			

Environmental conditions	
Ambient temperature	-20 °C - +40 °C
Altitude above sea level	1000 m

刀痕等
 用特为干
 用文全图
 积
 制
 效
 完
 自
 版
 公
 司
 电
 话
 010-88021076
 网
 址
 www.siemens.com.cn



DIN 332-DR M8
 DIN 6885-1



Tolerance	Surface	Material	Weight	Scale
			É	{ }
F5ÖFEEÖÖI GCSZI ÉZ ÖI EP@EP@ E5G EÜHE	Author Creator Approval Department Change Order	ÖV S T æ : ^@ ~ } *		
SIEMENS	Doc. State Revision	Doc. No.	MFB	Doc. Type
© Siemens AG 2018	Index RS		Item No	Paper Size CH
	Project No É	Ref No É		1st Language ^ 2nd Language â^
				Sheet F of F