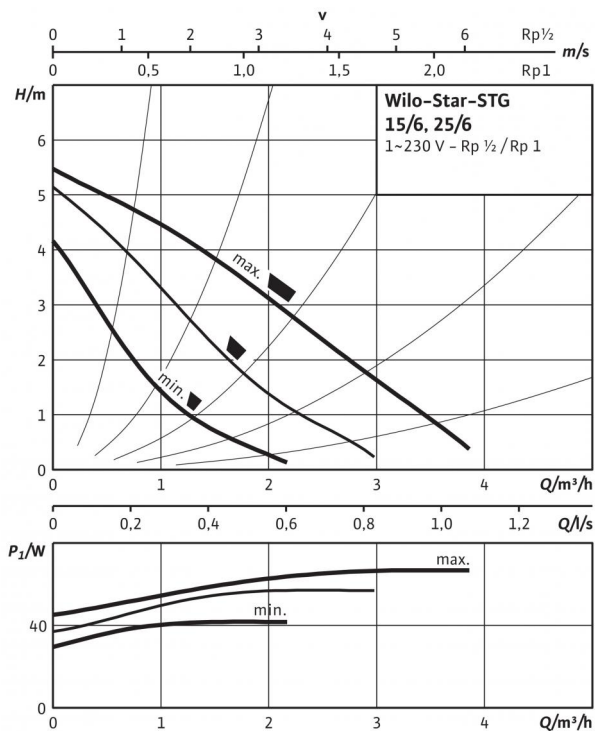
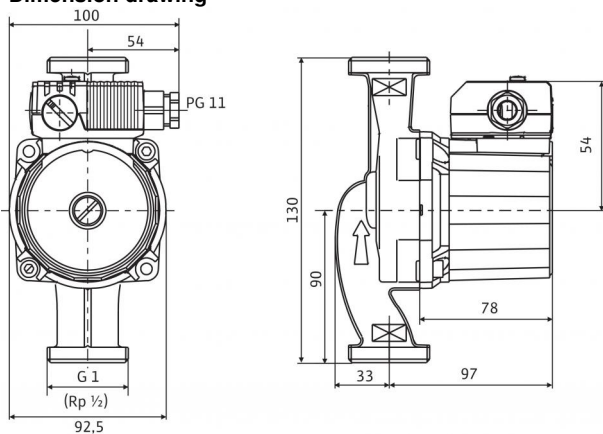


## Data sheet: Star-STG 15/6

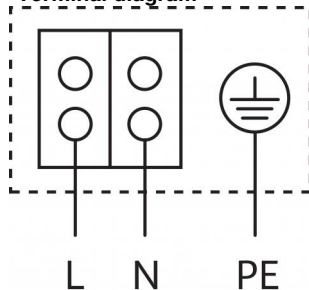
### Pump curves



### Dimension drawing



### Terminal diagram



Blocking current-proof motor  
 Single-phase motor (EM) 2-pole - 1~230 V, 50 Hz  
 With built-in capacitor

### Approved fluids (other fluids on request)

Heating water (in accordance with VDI 2035)  
 Water-glycol mixtures (max. 1:1; above 20% admixture, the pumping data must be checked)

### Permitted field of application

Temperature range at max. ambient temperature +40 °C  
 Maximum permissible operating pressure  $P_{max}$  10 bar

### Pipe connections

Threaded pipe union Rp ½  
 Thread G 1  
 Overall length  $L_0$  130 mm

### Motor/electronics

Electromagnetic compatibility EN 61800-3  
 Emitted interference EN 61000-6-3  
 Interference resistance EN 61000-6-2  
 Protection class IP 44  
 Insulation class F  
 Mains connection 1~230 V, 50 Hz  
 Speed  $n$  1250 - 2350 / 1700 - 2650 / 2150 - 2750 rpm  
 Power consumption  $P_1$  41 / 54 / 63 W  
 Current consumption  $I$  0.18 / 0.23 / 0.28 A  
 Motor protection Not required (blocking-current proof)  
 Threaded cable connection PG 1x11

### Materials

Pump housing Grey cast iron (EN-GJL-200)  
 Impeller Polypropylene  
 Pump shaft Stainless steel (X40Cr13)  
 Bearing Carbon, metal impregnated

### Minimum suction head at suction port for avoiding cavitation at water pumping

Temperature  
 Minimum suction head at 50 / 95 / 110 °C 0.5 / 3 / 10 m

### Information for order placements

Make Wilo  
 Type Star-STG 15/6  
 Art no. 4056946  
 Weight approx.  $m$  2.4 kg