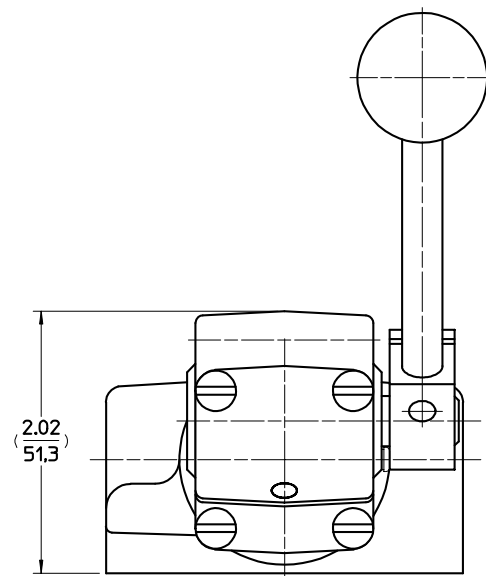
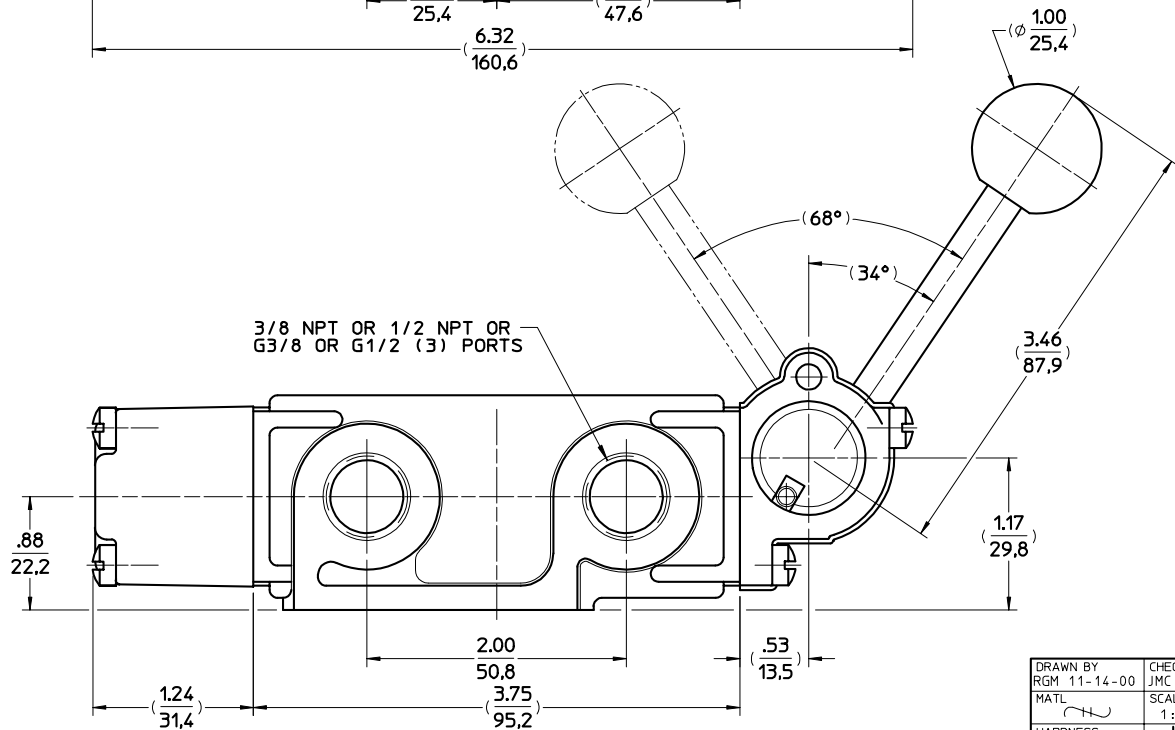
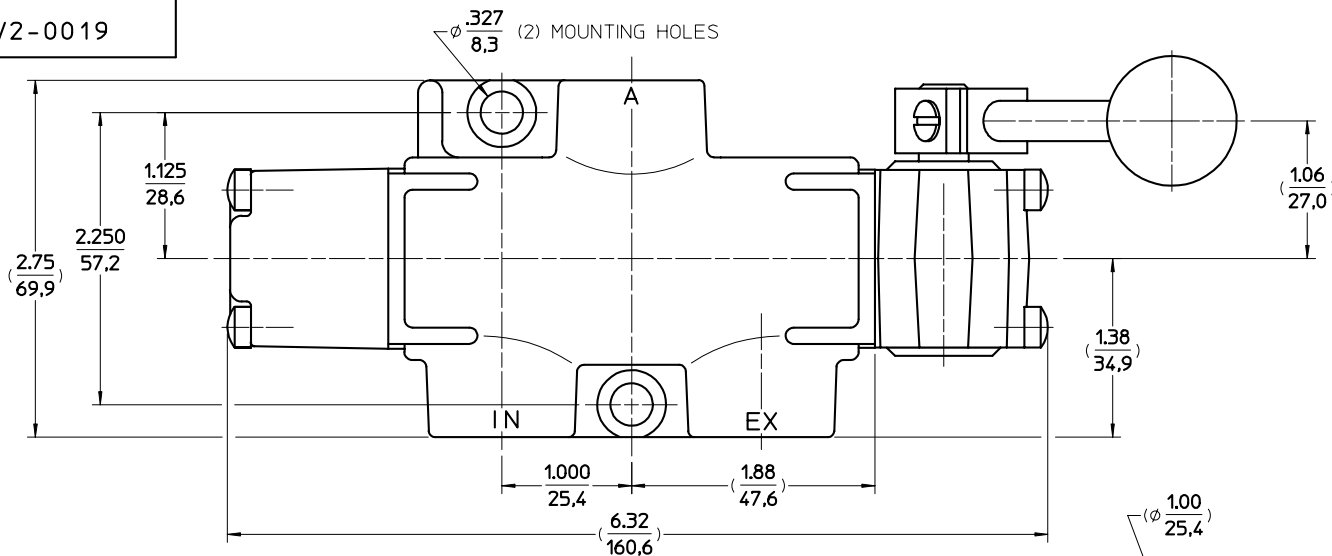


DWG. NO.

GV2-0019

ⓑ NOTE: FOR OTHER HANDLE CONFIGURATIONS CONSULT THE FACTORY.



IN.
mm

HAND LEVER OPERATOR WITH 2 DETENTS

DRAWN BY RGM 11-14-00		CHECKED BY JMC 11-17-00		ENG APP'D BN 11-17-00	ORIG EWR 10826	TITLE VALVE ASSY, 3-WAY
MATERIAL M		SCALE 1:1		NEXT ASSY	DWG SIZE B	
HARDNESS M		UNLESS OTHERWISE SPECIFIED				
HEAT TREAT M		2 PLACE DECIMAL ±.010 ANGULAR DIMENSIONS ±1/2°				
FINAL FINISH M		3 PLACE DECIMAL ±.003 BREAK CORNERS & EDGES .010 DIA'S ON SAME CENTERLINE CONCENTRIC WITHIN .006 T.J.R. MACHINED SURFACES, FINISHED TO 64 R.M.S. MAX.				
REVISION LEVEL		DO NOT SCALE DRAWING				
THIS DRAWING IS CAD GENERATED AND THE PROPERTY OF VERSA PRODUCTS CO. INC. USE AND/OR REPRODUCTION OF ANY PORTION MUST BE WITH THE APPROVAL OF VERSA						

B	RGM 07-22-03	ADDED METRIC DIMENSIONS AND HANDLE CONFIGURATION NOTE.	12329
	NG 07-22-03		BN 07-23-03
LTR	REVD/CKD BY	DESCRIPTION	EWR NO/APPD BY

VERSA PRODUCTS CO. INC.
PARAMUS N.J., U.S.A.
VERSA BV, NETHERLANDS

DWG. NO.

GV2-0019