

**Pressure gauge  
Push button cock  
Pressure gauge shutoff  
valve**

12.05



**Technical Description**

Pressure measuring instruments with capsule element and steel housing, as per DIN EN 837-3, for measuring small overpressures:

- accuracy class 1.6
- high reliability
- overload-proof (1.3 x scale interval)
- zero point correction
- measuring system copper alloy

**Display ranges**

0 - 25 mbar (0 - 2.5 kPa)  
 0 - 40 mbar (0 - 4.0 kPa)  
 0 - 60 mbar (0 - 6.0 kPa)  
 0 - 100 mbar (0 - 10.0 kPa)  
 0 - 160 mbar (0 - 16.0 kPa)  
 0 - 250 mbar (0 - 25.0 kPa)  
 0 - 400 mbar (0 - 40.0 kPa)  
 0 - 600 mbar (0 - 60.0 kPa)

Pressure measuring instruments with spiral element and steel housing, as per DIN EN 837-1, for measuring high overpressures:

- accuracy class 1.6
- high reliability
- sheet steel case

**Display ranges**

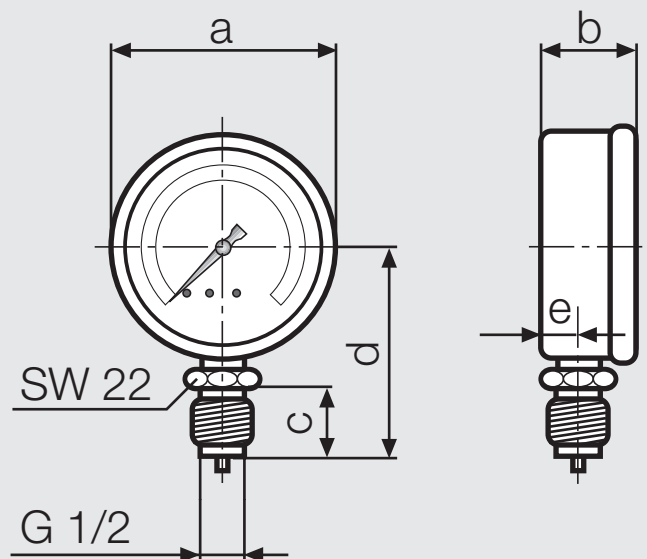
0 - 1.0 bar (0 - 100 kPa)	0 - 6.0 bar (0 - 600 kPa)
0 - 1.6 bar (0 - 160 kPa)	0 - 10.0 bar (0 - 1,000 kPa)
0 - 2.5 bar (0 - 250 kPa)	0 - 25.0 bar (0 - 2,500 kPa)
0 - 4.0 bar (0 - 400 kPa)	

**Application**

The pressure measuring instruments are used in the areas of burner monitoring, filter status measurement, air conditioning engineering and in laboratories. Suitable for gases of gas families 1, 2, 3 and other neutral gaseous media.

Technical Data	KP, D201	RF, D201
Accuracy class	1.6 as per EN 837-3	1.6 as per EN 837-1
Display ranges	0 - 25 mbar to 0 - 600 mbar (0 - 2.5 kPa to 0 - 60 kPa)	0 - 1 bar to 0 - 25 bar (0 - 100 kPa to 0 - 2,500 kPa)
Housing	Sheet steel, black	Sheet steel, black
inspection window Dial face	Plastic Al white, dial and inscription black	Plastic Al white, dial and inscription black
Pointer	Al black	Al black
Segment unit	Brass with zero offset compensation	Brass
Measuring component	CuBe	Cu alloy
Pressure connection, position Thread connection	radial, below G 1/2 B	radial, below G 1/2 B
Ambient temperature Medium temperature Temperature-related behaviour	$T_{min.} -20\text{ °C}, T_{max.} +60\text{ °C}$ $T_{min.} -20\text{ °C}, T_{max.} +60\text{ °C}$ 0.6 % / 10 K for a deviation from normal temperature + 20 °C	$T_{min.} -20\text{ °C}, T_{max.} +60\text{ °C}$ $T_{min.} -20\text{ °C}, T_{max.} +60\text{ °C}$ 0.4 % / 10 K for a deviation from normal temperature + 20 °C
Installation position	vertical	vertical
Degree of protection	IP 32 (EN 60529)	IP 32 (EN 60529)

#### Dimensions [mm]



Type	Accuracy range	Order No.	Connection	Dimensions [mm]					Weight [kg]
				a	b	c	d	e	
KP 80	0 - 25 mbar	217 101	G 1/2 B	80	43.3	20	69	14.8	0.4
KP 80	0 - 40 mbar	099 028	G 1/2 B	80	43.3	20	69	14.8	0.4
KP 80	0 - 60 mbar	103 697	G 1/2 B	80	43.3	20	69	14.8	0.4
KP 80	0 - 100 mbar	082 081	G 1/2 B	80	43.3	20	69	14.8	0.4
KP 80	0 - 160 mbar	104 083	G 1/2 B	80	43.3	20	69	14.8	0.4
KP 80	0 - 250 mbar	077 396	G 1/2 B	80	43.3	20	69	14.8	0.4
KP 80	0 - 400 mbar	104 307	G 1/2 B	80	43.3	20	69	14.8	0.4
KP 80	0 - 600 mbar	103 705	G 1/2 B	80	43.3	20	69	14.8	0.4
KP 100	0 - 25 mbar	248 312	G 1/2 B	100	44	20	87	15.6	0.5
KP 100	0 - 40 mbar	248 311	G 1/2 B	100	44	20	87	15.6	0.5
KP 100	0 - 60 mbar	248 310	G 1/2 B	100	44	20	87	15.6	0.5
KP 100	0 - 100 mbar	220 054	G 1/2 B	100	44	20	87	15.6	0.5
KP 100	0 - 160 mbar	247 342	G 1/2 B	100	44	20	87	15.6	0.5
KP 100	0 - 250 mbar	244 612	G 1/2 B	100	44	20	87	15.6	0.5
KP 100	0 - 400 mbar	230 678	G 1/2 B	100	44	20	87	15.6	0.5
KP 100	0 - 600 mbar	227 467	G 1/2 B	100	44	20	87	15.6	0.5
RF 80	0 - 1 bar	119 073	G 1/2 B	80	31	20	72	11.7	0.25
RF 80	0 - 1.6 bar	227 146	G 1/2 B	80	31	20	72	11.7	0.25
RF 80	0 - 2.5 bar	217 201	G 1/2 B	80	31	20	72	11.7	0.25
RF 80	0 - 4 bar	052 415	G 1/2 B	80	31	20	72	11.7	0.25
RF 80	0 - 6 bar	217 202	G 1/2 B	80	31	20	72	11.7	0.25
RF 80	0 - 10 bar	227 283	G 1/2 B	80	31	20	72	11.7	0.25
RF 80	0 - 25 bar	248 314	G 1/2 B	80	31	20	72	11.7	0.25
RF 100	0 - 1 bar	240 829	G 1/2 B	100	29.5	20	82	11	0.3
RF 100	0 - 1.6 bar	240 830	G 1/2 B	100	29.5	20	82	11	0.3
RF 100	0 - 2.5 bar	248 313	G 1/2 B	100	29.5	20	82	11	0.3
RF 100	0 - 4 bar	241 419	G 1/2 B	100	29.5	20	82	11	0.3
RF 100	0 - 6 bar	230 679	G 1/2 B	100	29.5	20	82	11	0.3
RF 100	0 - 10 bar	247 356	G 1/2 B	100	29.5	20	82	11	0.3
RF 100	0 - 25 bar	245 298	G 1/2 B	100	29.5	20	82	11	0.3

## Accessories

### Order No.

Push button cock DKH	033 621
Pressure gauge shutoff valve MAV	230 762



## Technical description

**DKH:** Manually operated shutoff device between measuring line and pressure gauge according to DIN 3537-1. In the normal state, the push-button cock is closed. Therefore, the pressure gauge is permanently relieved of pressure. The push-button is pushed in order to apply pressure on the pressure gauge and indicate the operating pressure.

**MAV:** Manually operated shutoff and flow control device between measuring line and pressure gauge in accordance with DIN 16270.

## Application

Suitable for gases of families 1, 2, 3 and other neutral gaseous media.

## Approvals

EC type test approval as per EC Gas Appliance Directive:

DKH CE-0085 AQ 0985

DVGW type approval certificate:

DKH DG-4315 AO 0724

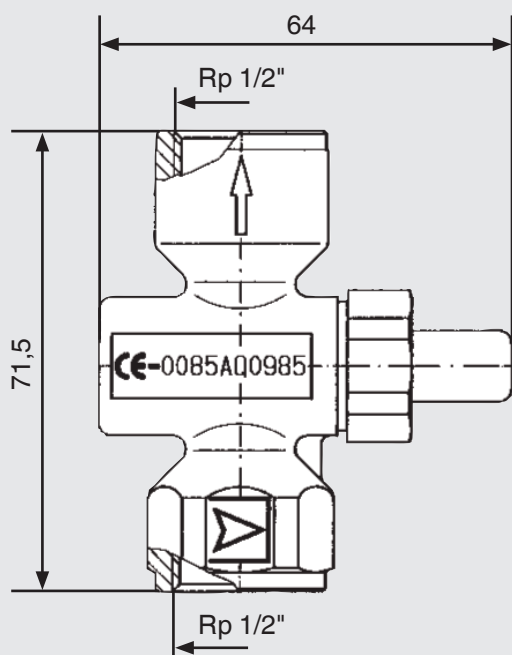
MAV DG-4315 BO 0429

Pressure gauge  
 Push button cock  
 Pressure gauge shutoff valve

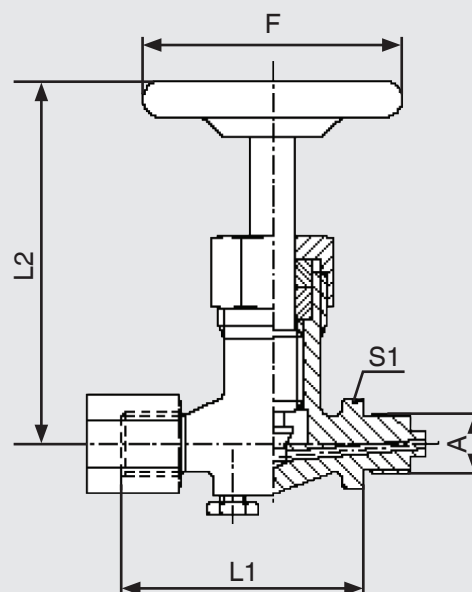
**DUNGS®**  
 Combustion Controls

Technical Data	DKH	MAV
Connection	Rp 1/2	G 1/2 / G 1/2 B
Max. operating pressure	5 bar (500 kPa)	100 bar (10,000 kPa)
Temperature range	-15 °C ... +70 °C	-5 °C ... +60 °C
Housing	Nickel-plated brass	Brass

Dimensions DKH [mm]



Dimensions MAV [mm]



We reserve the right to make any changes in the interest of technical progress.

**Head Offices and Factory**  
 Karl Dungs GmbH & Co. KG  
 Siemensstraße 6-10  
 D-73660 Urbach, Germany  
 Telephone +49 (0)7181-804-0  
 Fax +49 (0)7181-804-166

**Postal address**  
 Karl Dungs GmbH & Co. KG  
 Postfach 12 29  
 D-73602 Schorndorf, Germany  
 e-mail info@dungs.com  
 Internet www.dungs.com