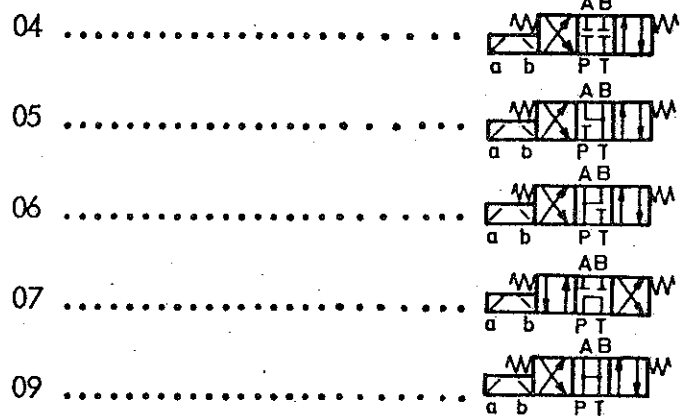


Symbol no.



For further symbols see  
sheet 1.1.0 - 02



Mounting position ..... as required  
Weight ..... 1,1 kg

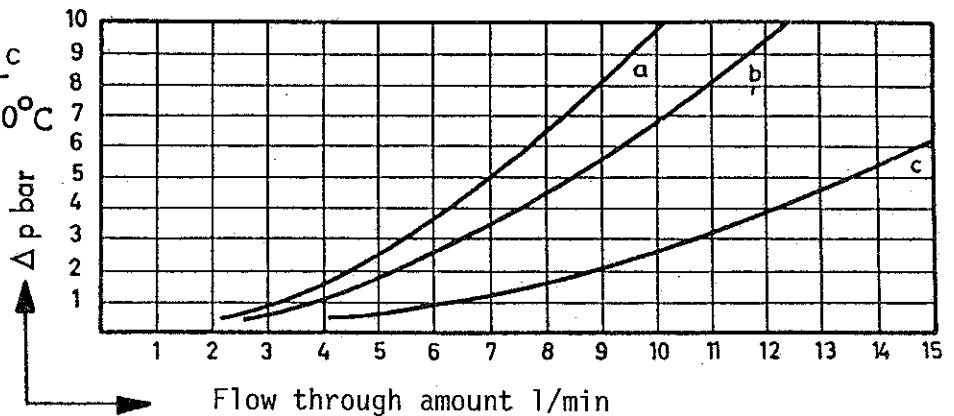
**Hydraulic characteristics**

Operating pressure range Input ..... pe max. symbol no. 07 up to 200 bar  
Input ..... pe max. other symbols up to 315 bar  
Output (T conn.) pa max. .... 150 bar  
Hydraulic oil temperature range..... -10°C up to +80°C  
Ambient temperature ..... - 5°C up to +50°C  
Rated flow up to p = 1 bar ..... 4 l/min  
Max. flow ..... 10 l/min

$\Delta p - Q$  - characteristic

of hydraulic oil 35  $\frac{\text{mm}^2}{\text{s}}$ , 50°C

curve a P - A  
A - T  
curve b P - B  
curve c B - T



Operation system ..... electro-magnetic

Type description ..... D24/0H	Type description ..... D220/5H
Voltage ..... 24V=	Voltage ..... 220 V 50 Hz
Power consumption ..... 25,5 W	Active power ..... 64 VA
Relative duty cycle ..... 100 %	Relative duty cycle ..... 100 %
Protection ..... IP 64	Protection ..... IP 64

Switching time ..... at rated flow, 60 bar, 35  $\text{mm}^2/\text{s}$ , 50°C

Time for energizing : 24 V= ... 17 ms	220 V 50 Hz ... 25 ms	} from switching command "ON" resp. "OFF" until end of stroke
Time for de-energizing: 24 V= ... 17 ms	220 V 50 Hz ... 25 ms	

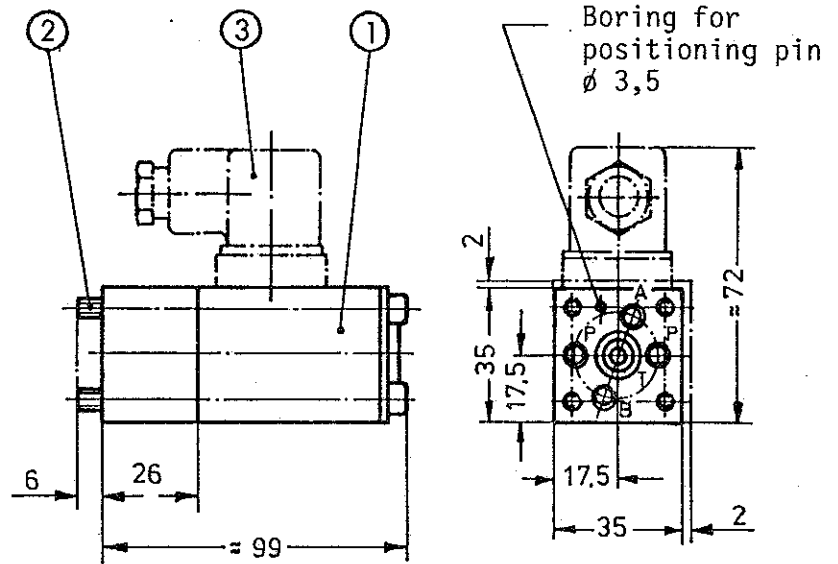
4/3 DIRECTIONAL VALVE Size 4

Directly controlled,  
electrically operated

Sheet: 1.1.3-02

Issue: 09.81

- ① Solenoid (rotatable 90°)
- ② 4 fastening screws  
allowable putting in  
torque 5,5 Nm  
M5x100/800-064  
(within scope of delivery)
- ③ Connector black  
order no. 806-003  
to be ordered separately



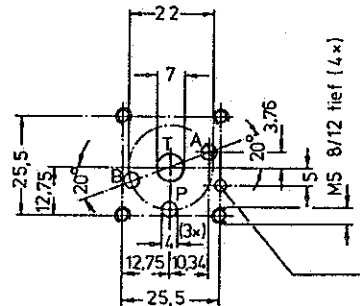
Connection  
Diagram A

1.1.8 - 01

mounting plate see

1.1.9 - 01

P = pump, T = tank  
A, B = cylinder or motor  
connection



The directional valves are fitted with pressure-resistant oil-bath solenoids that provide a long life-cycle.

Ordering example:

A 4/3 directional according to symbol 04 for 24 V DC (other voltages and frequencies see sheet 1.1.3-03) is to be ordered.

The designation reads:

Ident-Nr. We 0 4 - 4 P 1 0 0 D 2 4 / 0 H

Ident-Nr. \_\_\_\_\_  
(is inserted by H+L)

Connector -  
Connection DIN 43 650

Voltage/frequency

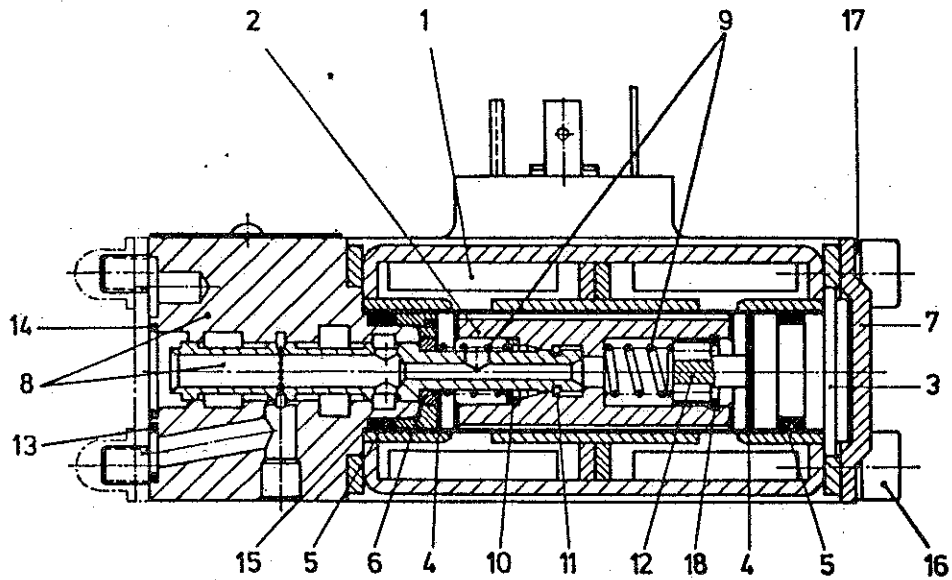
Symbol

4/3 DIRECTIONAL VALVE Size 4

Directly controlled,  
electrically operated

1.1.3-03

Issue: 09.81



Pos.	Qty.	Description	Order no.			
			Direct Current Voltage		Alternating Cur. Voltage	
			11 - 14 V	5552 - 09	24 V 50 Hz	5552 - 07
			12 V	5552 - 06	24 V 60 Hz	5552 - 12
			24 V	5552 - 05	220 V 50 Hz	5552 - 02
			23 - 28 V	5552 - 10	220 V 60 Hz	5552 - 08
			72 V	5552 - 11	110 V 50 Hz	5552 - 03
					110 V 60 Hz	5552 - 16
●	1	Solenoid	11232 - 07		11232 - 08	
	2	Armature	11232 - 10		1170 - 25	
	3	Stopper	1060 - 17			
	4	Adhesive disk	802 - 035			
●	5	O-ring	1061 - 05			
	6	Disk	1060 - 05			
	7	Cover	1060 - 09			
	8	Housing + piston	1060 - 16			
●	9	Compression spring	802 - 017			
	10	Disk	802 - 028			
	11	Snap ring	803 - 004			
	12	Stopper	800 - 064			
●	13	O-ring	801 - 010			
●	14	O-ring	865 - 000			
●	15	Supporting ring				
	16	Fillister-head screw				
	17	Fuse				
	18	Snap ring				

● = Spare parts