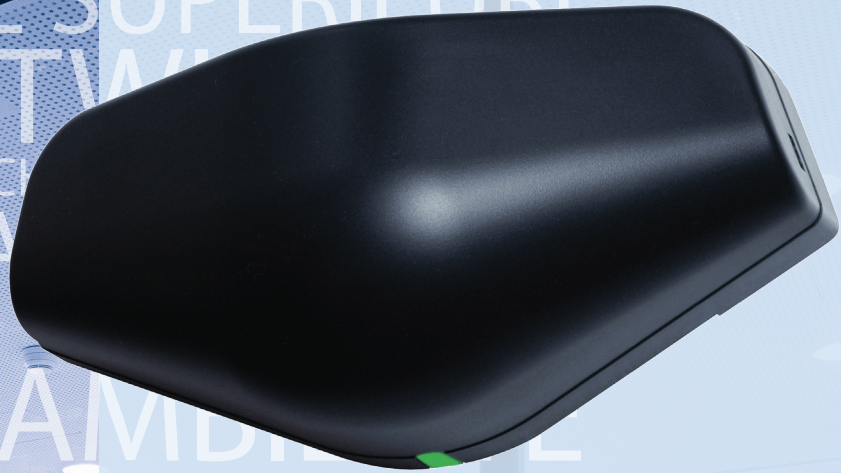


OM-105C/106C

Microwave door sensor



QUALITÉ SUPERIEURE
ENTRANCE
LANGFRISTIGE GESCHÄFTS
INNOVATION
MEDIO AMBIENTE
CARE OF THE LOWEST
FAILURE RATE IN THE MARKET

The Optex OM-105C and OM-106C microwave sensors are especially designed to increase the comfort on opening all types of automatic doors. The Optex microwaves provide fast detection for all automatic door installations and particularly for applications with high speed entries. Due to the industrial design and easy installation these sensors will fit on every header or ceiling in any application you can imagine.

OM-105C/106C

Microwave door sensor

DETECTION AREA

The Optex microwave range offers a narrow or wide detection area that makes it suitable for all types of installations. The narrow setting is easy to set by just clicking the narrow lens on to the radar module. By turning the module left or right and tilting it up and down the microwave can be adjusted quick and simple for many different applications. No external set-up device is needed.

SWING DOOR ACTIVATION

When installed above the pivot the Optex OM-106C will ignore the door movement of a swing door. Therefore it is ideal to install as swing door activation sensor.

AUTO-CAUTION MODE

The Auto-Caution mode guarantees more reliability to prevent the door from closing, even if a person is wavering in the detection area. The sensor will immediately change from uni directional to multi directional for safety purposes. This function is only available on the OM-106C.

UNI DIRECTIONAL SETTING

The OM-106C is equipped with a dipswitch for uni directional or bi directional mode. By selecting the uni directional mode the sensor will only detect traffic approaching the door, allowing the door to close more quickly for departing traffic. Fast closing of doors offers a large benefit for the end user, because the doors will stay open for a limited time and therefore they will contribute to saving energy.

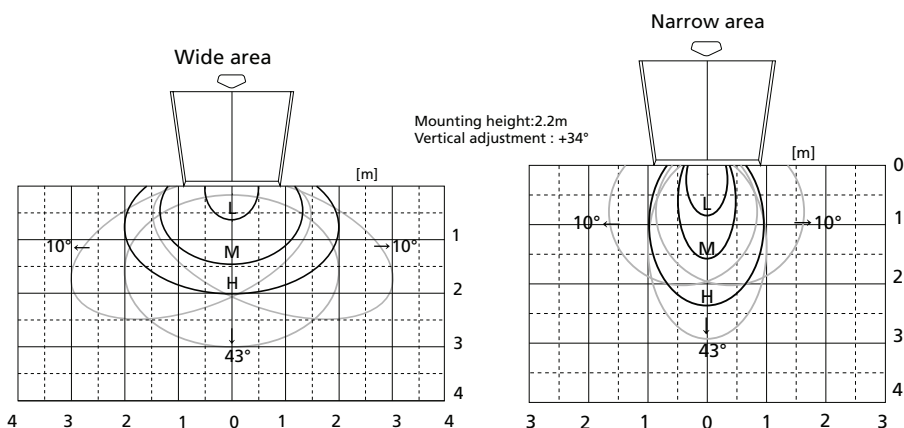
QUALITY

Optex automatic door sensors guarantee premium performance and include a 3 year full replacement warranty.

SPECIFICATIONS

Model	OM-105C / OM-106C
Cover colour	Black and silver
Mounting height	2.0 m - 3.5 m
Detection method	Microwave doppler effect
Power frequency	24.125GHz
Power density	< 20dBm
Detection area	See detection area
Vertical adjustment	+10° to +70° (header mount) +20° to +80° (ceiling mount)
Horizontal adjustment	30° to left or right
Power supply	12 to 24VAC (±10%) / 12 to 30VDC (±10%)
Power consumption	< 1.5W (< 2VA at AC)
Minimum speed	5cm/sec.
Operating indicator	Green / standby Red / detection Green blinking / Set-up
Output	Form C relay 50V 0.3 max. (resistance load)
Output hold time	0.5 sec. / 2.0 sec.
Response time	< 0.3 sec.
Operating humidity	< 80%
Operating temperature	-20°C – +55°C (-4°F - 131°F)
IP rate	IP54
Dimensions	131 x 61 x 55 mm (w x h x d)
Weight	140 g (4.9oz)
Accessories	cable 3m, operation manual, mounting screws, mounting template, narrow lens
Optional accessories	Ceiling bracket / raincover

DETECTION AREA



Sensitivity potentiometer	Wide area		Narrow area	
	Width	Depth	Width	Depth
High	4.0	2.0	2.0	2.3
Mid	2.6	1.5	1.0	1.6
Low	2.0	0.6	0.6	0.8

The actual detection area may differ according to the size/ material/ entry speed of the object and the installation environment.