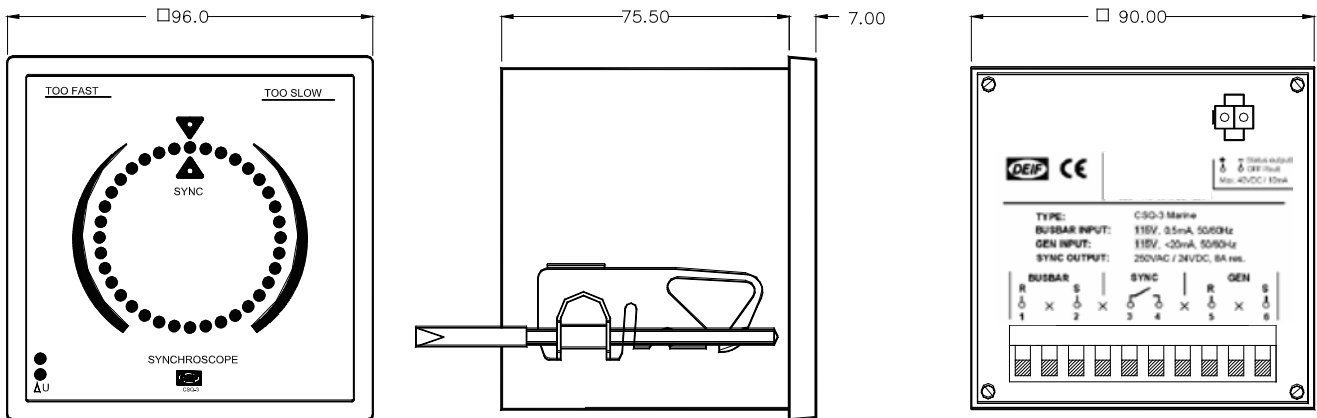


8. Dimensions



All dimensions in mm.

9. Order specifications

Input voltage and type must be specified when ordering the CSQ-3.

Order specification for the CSQ-3 consists of the following:

CSQ-3 - U_N - type

where U_N and type are as follows:

Code	Function	Options
U_N	Input voltage	'115V': (100...127V AC input range) '230V': (220...240V AC input range) '415V': (380...415V AC input range) '450V': (440...480V AC input range)
Type		' Land ': Means the land version without GL approval. This is the standard version. ' Marine ': Means the marine version with GL approval and equipped with an additional output for surveillance.

Example of an order specification for the CSQ-3

CSQ-3 – 415V – Marine