



ND Series

Flow Sensor



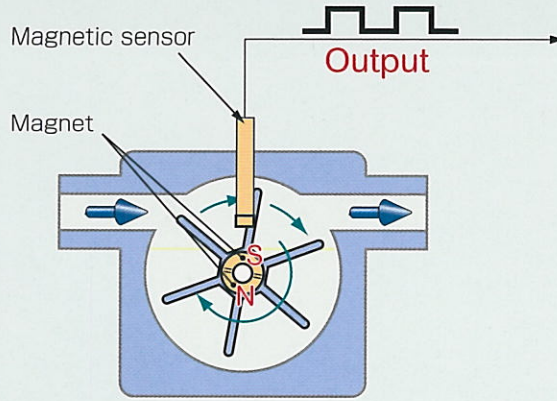
- Highly accurate over a wide measurement range
- Simple and durable structure
- Compact and lightweight
- Excellent cost-performance
- High sensitive high-density pulse output



Overview

Model	ND05 - TATAAA ND05 - PATAAC	ND05 - NATAAC	ND10 - TATAAA	ND10 - PATAAA	ND10 - NATAAA	ND20 - PATAAA	ND20 - NATAAA
Flow range	0.3 to 3 L/min		1.0 to 10L/min	1.5 to 20L/min		3.0 to 60L/min	
Accuracy(Standard installation position)	±2% RS						
Pulse unit	2.5mL/P		7.69mL/P			25mL/P	
Pressure loss	12 kPa or less (At 3L/min)		15 kPa or less (At 10L/min)	20 kPa or less (At 20L/min)		60 kPa or less (At 60L/min)	
Operating temperature range	0 to +60°C	0 to +70°C	0 to +60°C		0 to +70°C	0 to +60°C	0 to +70°C
Connection	R 1/2"					R 3/4"	
Maximum working pressure	1MPa with a fluid temperature of +20°C						
Viscosity	0.5 to 1.5 mPa·s						
Output signal	Open collector pulse			4-wires, Reed-wire length approx. 600mm			
				Duty ratio 3/7 < A/B < 7/3			
Power supply	3 to 15 V DC						
Ambient temperature	-20°C to +80°C (Freezing must be avoided)						
Weight (Approx.)	150g		120g			360g	

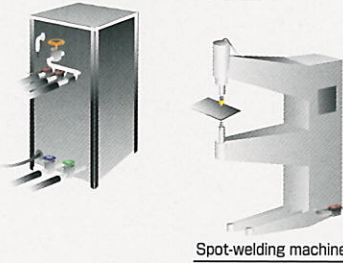
■ Measurement principle



■ Examples of use

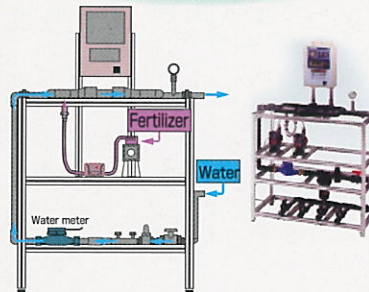
Coolant monitoring in molding machines / welding machines

Mold temperature controller



Spot-welding machine

Proportional injection of chemical fluid

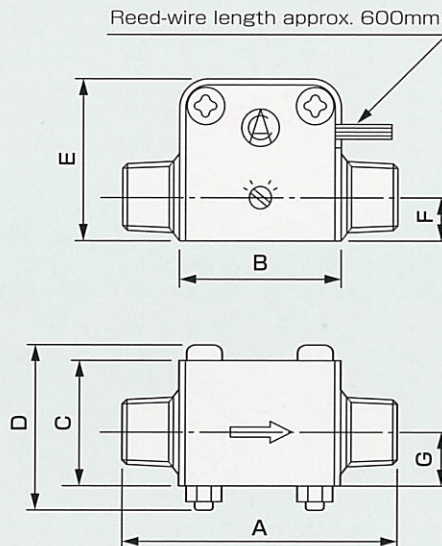


Your own specialized application



■ External dimensions

Unit : mm



Model	ND05	ND10	ND20
A	80	80	110
B	47	47	68
C	37.5	37.5	50
D	49	49	65
E	47	47	68
F	12.5	12.5	18
G	16	16	23

Aichi Tokei Denki Co., Ltd.

No. 2 - 70, Chitose 1 - chome,
Atsuta - ku, Nagoya 456 - 8691
Japan

Tel : +81-52-661-5150

Fax : +81-52-661-6418

<https://www.aichitokei.co.jp/eng/index.html>

E-mail: overseas@inet1.aichitokei.co.jp



Specifications are subject to change without notice.
Printed in Japan (11/06)