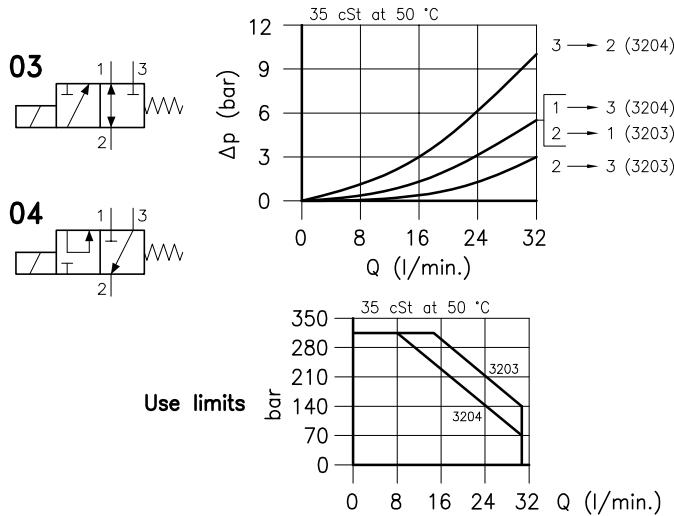
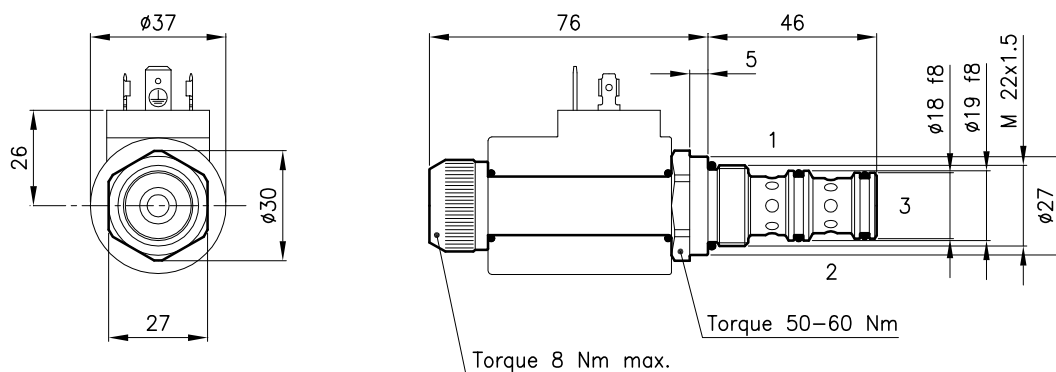


Technical features



Cavity	(For dimensions see catalogue 17.000)	S 30/3
Max. flow	(l/min.)	30
Max. pressure	(bar)	315
Max. leakage	(cm ³ /min.)	25
Response time	(ms)	30 - 60 <small>(Mean value)</small>
Fluid viscosity range	(cSt)	2.8 - 380
Fluid temperature range	(°C)	-20 +80
Mass	(kg)	0.230
Hydraulic fluid; mineral oil HM and HV ISO 6074		
Recommended filtration; 19/15 ISO 4466 (25 μ absolutes)		
Standard seals in Polyurethane and Buna N		

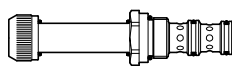
Dimensions



Ordering informations

ETD 30/3203

ETD 30/32.. = Valve type

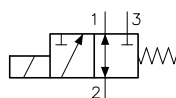


Codes:

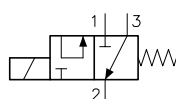
ETD 30/3203	35 011 123
ETD 30/3204	35 011 124
External seals kit	90 620 104

Circuits

3203 =



3204 =



ETD 30/32.. valves can be assembled on standard bodies 30-C3 series; for dimensions see catalogue 16.010

On the ETD 30 valves must be assembled the Coils B30 series; for dimensions, features and codes see catalogues 09.900 and 09.901.