

# Compact Ejectors



## Compact Ejectors X-Pump SXPi / SXMPi with IO-Link

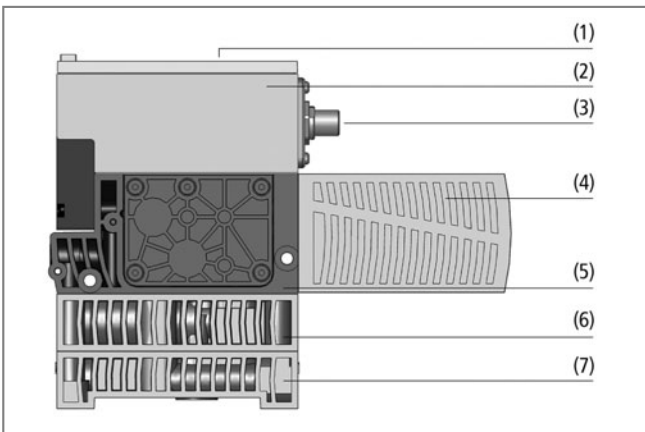
Suction rate from 185 l/min to 220 l/min



### Suitability for Industry-Specific Applications



Compact ejectors X-Pump SXPi / SXMPi with IO-Link



System design compact ejectors X-Pump SXPi / SXMPi with IO-Link

### Applications

- High-performance vacuum generator for handling suction-tight workpieces under extreme conditions, e. g. in vacuum systems in press lines for handling metal sheets
- In pick-and-place applications with short cycle times
- In automated systems for preparation and precise monitoring of the vacuum system

### Design

- User display (1) with large-scale operating and display elements
- Control electronics (2) with diverse monitoring functions
- Electrical connection (3) via M12 plug
- Removable silencer (4)
- Basic body (5) made of extremely robust plastic
- Compact ejector SXMPi is additionally equipped with the power blow off module (6)
- Horizontal connection plate with vacuum and compressed air connection (7); optional with quick-change adapter
- Optional integrated pressure sensor

### Our Highlights...

- Communication via IO-Link technology
- Integrated air-saving function
- Condition monitoring functions with internal and external evaluation options
- Integrated voltage regulator
- Integrated pressure monitoring (optional)
- Suction function as impulse version (optional)

### Your Benefits...

- > Input and output of process-specific data
- > Significant reduction of energy consumption
- > Process and system monitoring to avoid downtimes
- > Compensation of variations in voltage
- > Additional information on operating status
- > No undesired air consumption in the event of power loss



Central vacuum generation by compact ejectors SXPi / SXMPi

Schmalz -  
The Company

Vacuum  
Knowledge

Vacuum  
Suction Pads

Special  
Grippers

Mounting  
Elements

**Vacuum  
Generators**

Valve  
Technology

Switches and  
Monitoring

Filters and  
Connections

Vacuum Grip-  
ping Systems

Services

Contact

Index  
of Products

## Compact Ejectors X-Pump SXPi / SXMPi with IO-Link

Suction rate from 185 l/min to 220 l/min

### Designation Code Compact Ejectors X-Pump SXPi / SXMPi with IO-Link

Abbreviated designation	Nozzle size	Idle position suction valve	Additional function	Connection pneumatical	Connection electrical
<b>Example SXPi 25 NO H M12-8:</b>					
<b>SXPi</b>	<b>25</b>	<b>NO</b>	<b>-</b>	<b>H</b>	<b>M12-8</b>
<b>SXPi without power module</b>	25 = 2.5 mm	IMP bistable switched with pulse	PC pressure monitoring	H horizontal	M12-8 M12, 8-pole
<b>SXMPi with power module</b>	30 = 3.0 mm	NC normally closed		Q quick-change	2xM12-5 2xM12, 5-pole
		NO normally open			

### Ordering Data Compact Ejectors X-Pump SXPi / SXMPi with IO-Link

Compact ejector SXPi / SXMPi is delivered as a ready to connect product (without connection cable).

Available spare parts: connection cable, base plate, ejector tester

### Compact Ejectors X-Pump SXPi / SXMPi with IO-Link

SXPi 25		SXPi 30	
Type	Part Number	Type	Part Number
SXPi 25 NO H M12-8	10.02.02.03776	SXPi 30 NO H M12-8	10.02.02.03780
SXPi 25 NO Q M12-8	10.02.02.03777	SXPi 30 NO Q M12-8	10.02.02.03781
SXPi 25 NO H 2xM12-5	10.02.02.03778	SXPi 30 NO H 2xM12-5	10.02.02.03782
SXPi 25 NO Q 2xM12-5	10.02.02.03779	SXPi 30 NO Q 2xM12-5	10.02.02.03783
SXPi 25 NC H M12-8	10.02.02.03784	SXPi 30 NC H M12-8	10.02.02.03788
SXPi 25 NC Q M12-8	10.02.02.03785	SXPi 30 NC Q M12-8	10.02.02.03789
SXPi 25 NC H 2xM12-5	10.02.02.03786	SXPi 30 NC H 2xM12-5	10.02.02.03790
SXPi 25 NC Q 2xM12-5	10.02.02.03787	SXPi 30 NC Q 2xM12-5	10.02.02.03791
SXPi 25 IMP H M12-8	10.02.02.03792	SXPi 30 IMP H M12-8	10.02.02.03796
SXPi 25 IMP Q M12-8	10.02.02.03793	SXPi 30 IMP Q M12-8	10.02.02.03797
SXPi 25 IMP H 2xM12-5	10.02.02.03794	SXPi 30 IMP H 2xM12-5	10.02.02.03798
SXPi 25 IMP Q 2xM12-5	10.02.02.03795	SXPi 30 IMP Q 2xM12-5	10.02.02.03799

SXMPi 25		SXMPi 30	
Type	Part Number	Type	Part Number
SXMPi 25 NO H M12-8	10.02.02.03800	SXMPi 30 NO H M12-8	10.02.02.03804
SXMPi 25 NO Q M12-8	10.02.02.03801	SXMPi 30 NO Q M12-8	10.02.02.03805
SXMPi 25 NO H 2xM12-5	10.02.02.03802	SXMPi 30 NO H 2xM12-5	10.02.02.03806
SXMPi 25 NO Q 2xM12-5	10.02.02.03803	SXMPi 30 NO Q 2xM12-5	10.02.02.03807
SXMPi 25 NC H M12-8	10.02.02.03808	SXMPi 30 NC H M12-8	10.02.02.03812
SXMPi 25 NC Q M12-8	10.02.02.03809	SXMPi 30 NC Q M12-8	10.02.02.03813
SXMPi 25 NC H 2xM12-5	10.02.02.03810	SXMPi 30 NC H 2xM12-5	10.02.02.03814
SXMPi 25 NC Q 2xM12-5	10.02.02.03811	SXMPi 30 NC Q 2xM12-5	10.02.02.03815
SXMPi 25 IMP H M12-8	10.02.02.03816	SXMPi 30 IMP H M12-8	10.02.02.03820
SXMPi 25 IMP Q M12-8	10.02.02.03817	SXMPi 30 IMP Q M12-8	10.02.02.03821
SXMPi 25 IMP H 2xM12-5	10.02.02.03818	SXMPi 30 IMP H 2xM12-5	10.02.02.03822
SXMPi 25 IMP Q 2xM12-5	10.02.02.03819	SXMPi 30 IMP Q 2xM12-5	10.02.02.03823

# Compact Ejectors



## Compact Ejectors X-Pump SXPi / SXMPi with IO-Link

Suction rate from 185 l/min to 220 l/min

### Compact Ejectors SXPi/SXMPi X-Pump with IO-Link Technology and Pressure Monitoring "PC"

Type*	Part Number
SXMPi 30 IMP PC Q M12-8	10.02.02.03731

\*Note: All variants listed above can also be optionally configured as "PC" variants

### Ordering Data Accessories Compact Ejectors X-Pump SXPi / SXMPi with IO-Link

Accessories	Part Number	Weight [kg]
Connecting cable M12, 8-pole	21.04.05.00079	0,28
Connecting cable M12, 5-pole	21.04.05.00080	0,24
Connecting cable M12, 8-pole to 5-pole*	21.04.05.00167	0,35
Single base plate with quick-change connections	10.02.02.02473	0,18
Double base plate with quick-change connections	10.02.02.02154	0,47
Ejector tester	10.02.02.03588	0,75

\*For IO-Link

### Technical Data Compact Ejectors X-Pump SXPi / SXMPi with IO-Link

Type	Nozzle-Ø [mm]	Degree of evacuation [%]	Max. suction rate [l/min]	Max. suction rate [m³/h]	Air consumpt. during evac. [l/min]*	Air consumpt. during evac. [m³/h]*	Max. air consumption blow off [l/min]
SXPi 25	2.5	85	185	11.1	290	17.4	200
SXPi 30	3.0	85	220	13.2	380	22.8	200
SXMPi 25	2.5	85	185	11.1	290	17.4	320
SXMPi 30	3.0	85	220	13.2	380	22.8	320

!The supply voltage for vacuum switches and solenoid valves is 24V DC

\*At optimal operating pressure

\*\*For max. length 2 m

Type	Noise level free [dB]	Operating pressure [bar]	Recomm. int. hose diameter compr. air [mm]**	Recomm. int. hose diameter vacuum [mm]**	Weight [kg]	Operating temperature [°C]
SXPi 25	67	3...6	8	9	0.77	0...50
SXPi 30	72	3...6	8	9	0.77	0...50
SXMPi 25	67	3...6	8	9	0.91	0...50
SXMPi 30	72	3...6	8	9	0.91	0...50

!The supply voltage for vacuum switches and solenoid valves is 24V DC

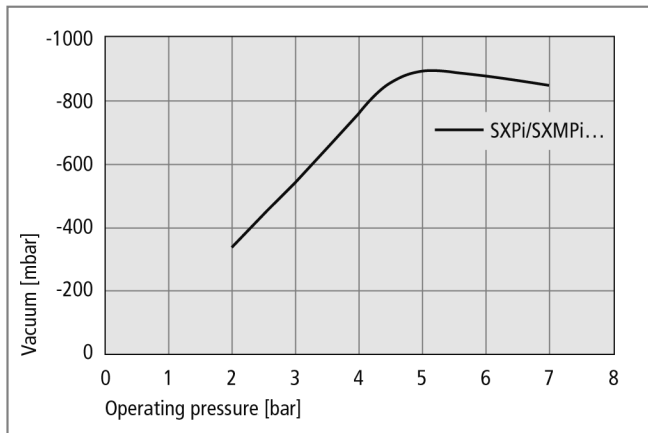
\*At optimal operating pressure

\*\*For max. length 2 m

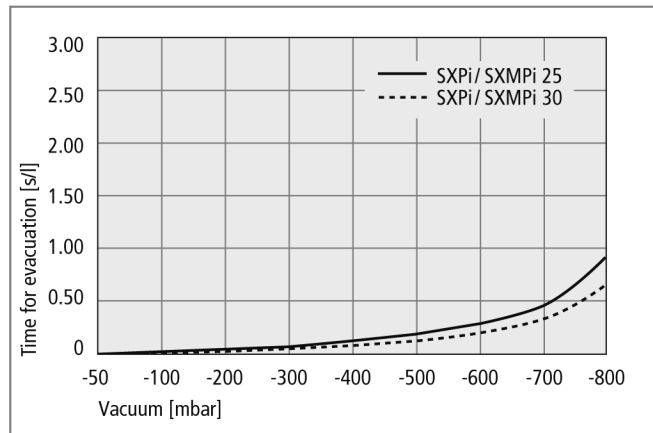
## Compact Ejectors X-Pump SXPi / SXMPi with IO-Link

Suction rate from 185 l/min to 220 l/min

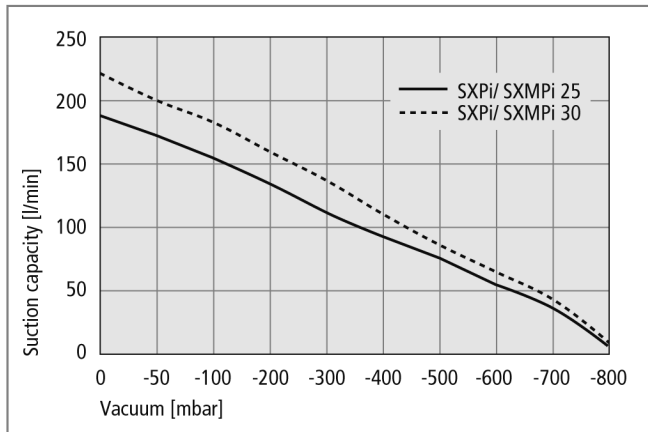
### Performance Data Compact Ejectors X-Pump SXPi / SXMPi with IO-Link



Achievable vacuum at various operating pressures



Evacuation times for various vacuum ranges



Suction capacity at various degrees of evacuation

### Suction Capacity in l/min at Various Degrees of Evacuation

Type	Degree of evacuation in mbar									
	0	-50	-100	-200	-300	-400	-500	-600	-700	-800
SXPi/SXMPi 25	185	170	158	135	114	95	76	56	33	10
SXPi/SXMPi 30	220	199	184	160	138	115	91	63	39	15

### Evacuation Time in s/l for Various Vacuum Ranges

Type	Degree of evacuation in mbar									
	-50	-100	-200	-300	-400	-500	-600	-700	-800	
SXPi/SXMPi 25	0.02	0.03	0.06	0.10	0.15	0.18	0.26	0.46	0.87	
SXPi/SXMPi 30	0.01	0.02	0.05	0.08	0.11	0.15	0.22	0.37	0.69	

# Compact Ejectors

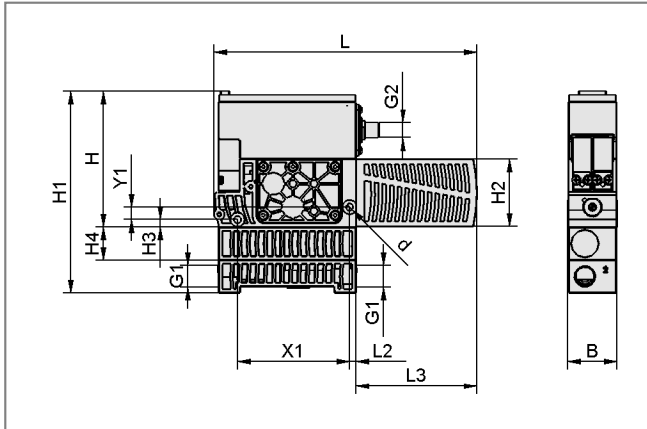


## Compact Ejectors X-Pump SXPi / SXMPi with IO-Link

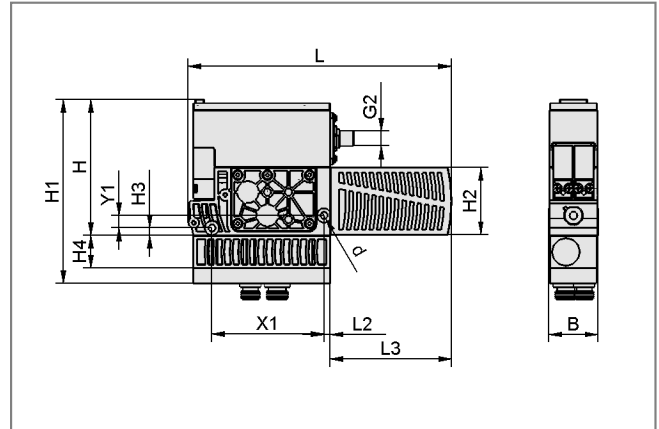
Suction rate from 185 l/min to 220 l/min



### Design Data Compact Ejectors X-Pump SXPi / SXMPi with IO-Link



SXMPi H



SXMPi Q

Type	Dimensions in mm													
	B	d	G1	G2	H	H1	H2	H3	H4	L	L2	L3	X1	Y1
SXPi...H...	39	5.5	G3/8"-F	M12-M	108	134	54	6	-	210	5	97	89	10
SXPi...Q...	39	5.5	-	M12-M	108	120	54	6	-	210	5	97	89	10
SXMPi...H...	39	5.5	G3/8"-F	M12-M	108	160	54	6	26	210	5	97	89	10
SXMPi...Q...	39	5.5	-	M12-M	108	146	54	6	26	210	5	97	89	10

Schmalz -  
The Company

Vacuum  
Knowledge

Vacuum  
Suction Pads

Special  
Grippers

Mounting  
Elements

**Vacuum  
Generators**

Valve  
Technology

Switches and  
Monitoring

Filters and  
Connections

Vacuum Grip-  
ping Systems

Services

Contact

Index  
of Products