

# IDEM Non-Contact RFID Locking Safety Switches

## MGL Series – Stainless Steel Housing



- Heavy duty or medium duty holding force models available
- Master coded or uniquely coded actuation
- RFID provides a high degree of anti-tamper, virtually impossible to override
- Flexible actuator for a high degree of misalignment tolerance.
- Able to connect to most popular safety relays to achieve up to PLe and Cat.4 for ISO3849-1
- Ability to connect up to 20 switches and E-stops in series
- IP69K rating for food processing applications
- Choice of 8-wire cable or M12 quick connect (purchase cables separately for the M12 QC)
- Remanence magnetization acts as a light magnetic latch after unlocking.
- (2) N.C. (door closed - lock energized) Safety outputs, overload protected
- (1) N.O. Auxiliary output for indication of door open
- Includes both switch and actuator

IDEM Non-Contact RFID Locking Switch Sets - Stainless Steel									
Part Number	Price	Body Material	Weight (lbs)	Holding Force	Operating Voltage	Operating Current	Coding	Connection Type	Dimensions
<b>Heavy Duty Holding Force</b>									
MGL-1SS-U-462001	\$433.00	316 stainless steel	5.73	1200N (269.8 lbf)	24VDC ± 10%	Nominal ≈ 50mA  Locked ≈ 500mA	Uniquely Coded	5-meter (16.48 ft.) cable	Figure 1
MGL-1SS-U-462002	\$445.00		6.32					10-meter (32.8 ft.) cable	
MGL-1SS-U-462003	\$450.00		5.20					8-pin M12 quick-disconnect	
MGL-1SS-M-462004	\$433.00		5.73					5-meter (16.48 ft.) cable	
MGL-1SS-M-462005	\$445.00		6.32					10-meter (32.8 ft.) cable	
MGL-1SS-M-462006	\$450.00		5.20					8-pin M12 quick-disconnect	
<b>Medium Duty Holding Force</b>									
MGL-2SS-U-460001	\$363.00	316 stainless steel	3.84	600N (134.9 lbf)	24VDC ± 10%	Nominal ≈ 50mA  Locked ≈ 500mA	Uniquely Coded	5-meter (16.48 ft.) cable	Figure 2
MGL-2SS-U-460002	\$375.00		4.42					10-meter (32.8 ft.) cable	
MGL-2SS-U-460003	\$380.00		3.31					8-pin M12 quick-disconnect	
MGL-2SS-M-460004	\$363.00		3.84					5-meter (16.48 ft.) cable	
MGL-2SS-M-460005	\$375.00		4.42					10-meter (32.8 ft.) cable	
MGL-2SS-M-460006	\$380.00		3.31					8-pin M12 quick-disconnect	

IDEM Non-Contact RFID Locking Switches Replacement Actuators - Stainless Steel						
Part Number	Price	Body Material	Weight (lbs)	Holding Force	Coding	Dimensions
MGL-1SS-M-462102*	\$81.00	316 stainless steel	1.87	1200N (269.8 lbf) - Heavy Duty	Master Coded	Figure 1
MGL-2SS-M-460102*	\$66.00		1.21	600N (134.9 lbf) - Medium Duty		Figure 2

\* For use with Stainless Steel Master Coded models only

# IDEM Non-Contact RFID Locking Safety Switches

Dimensions mm[in]

Figure 1

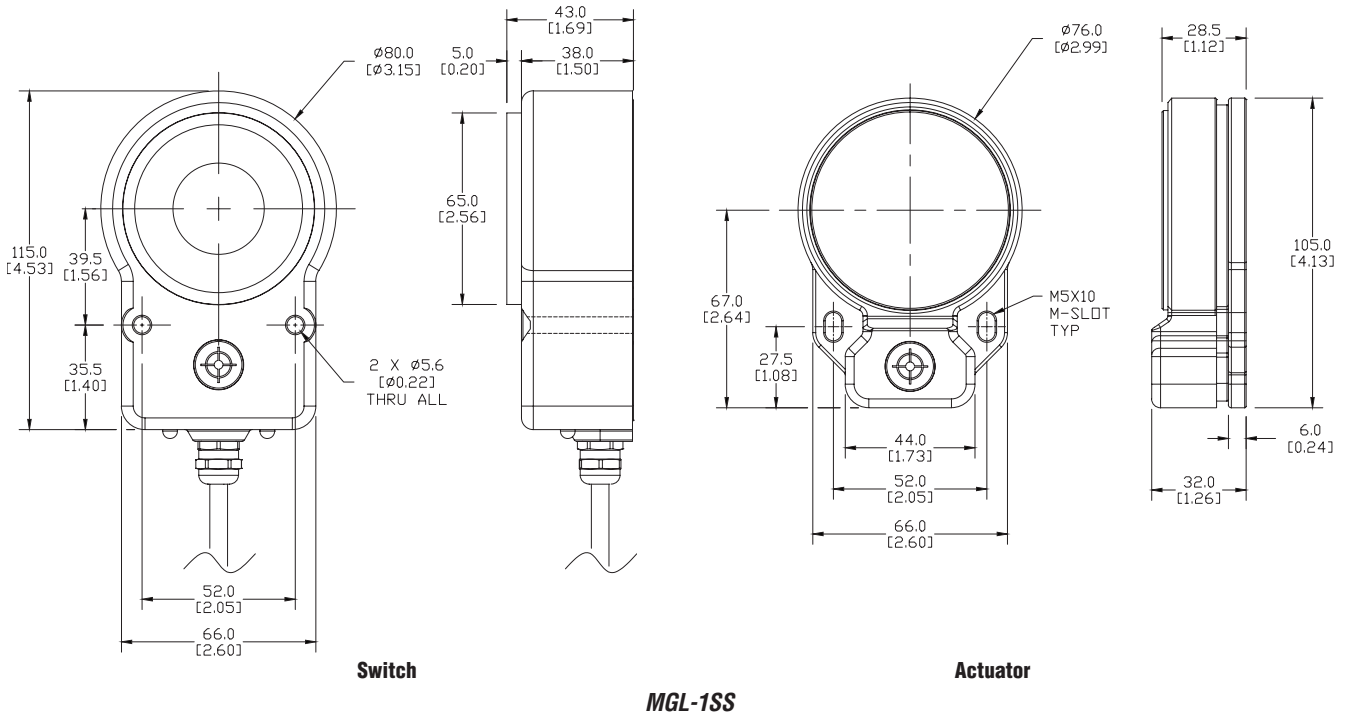
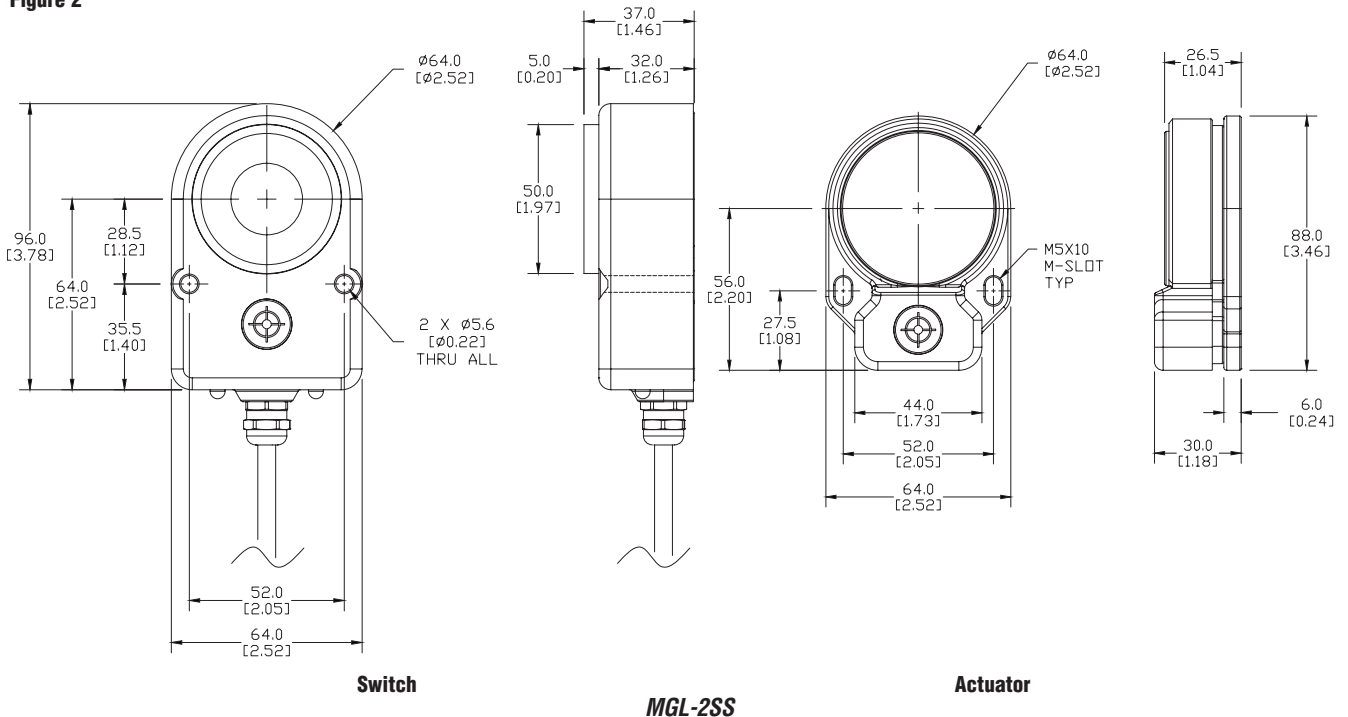


Figure 2



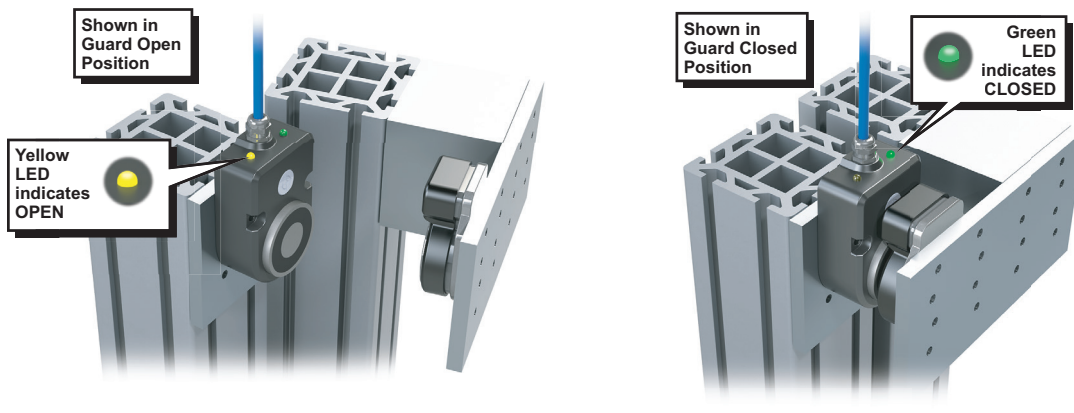
# IDEM Non-Contact RFID Locking Safety Switches Specifications

IDEM Non-Contact RFID Locking Switches Specifications			
	<i>MGL-1SS / MGL-2SS</i>	<i>MGL-1M / MGL-2M</i>	<i>MGL-1P / MGL-2P</i>
<b>Body Material</b>	316 Stainless Steel	Die Cast Metal	High Specification Polyester Plastic
<b>Safety Classification and Reliability Data</b>			
<b>Minimum Switched Current</b>	1mA @ 10VDC		
<b>Dielectric Withstand</b>	250VAC		
<b>Insulation Resistance</b>	100 Mohms		
<b>Switching Distance</b>	Sao – 1mm close Sar – 10mm open		
<b>Tolerance to Misalignment</b>	5mm in any direction from 5mm setting gap		
<b>Switching Frequency</b>	1.0 Hz maximum		
<b>Approach speed</b>	200 mm/s to 1000 mm/s		
<b>Temperature Range</b>	-25°C to 40°C (-13°F to 104°F)		
<b>Enclosure Protection</b>	IP69K	IP67	
<b>Cable Type</b>	PVC, 8-wire, 6mm OD		
<b>Mounting Screws</b>	2 x M5 – Tightening torque 1Nm (0.74 lb-ft)		
<b>Mounting Position</b>	Any		
<b>Characteristic Data According to IEC62061 (used as a sub system)</b>			
<b>Safety Integrity Level</b>	SIL3		
<b>PFH (1/h)</b>	4.77E-10 Corresponds to 4.8% of SIL3		
<b>PDF</b>	4.18E-05 Corresponds to 4.2% of SIL3		
<b>Proof Test Interval T<sub>1</sub></b>	20 years		
<b>Characteristic Data according to EN ISO13849-1*</b>			
<b>Performance Level</b>	<b>e</b> If both channels are used in combination with a SIL3/PLe control device		
<b>Category</b>	Cat4		
<b>MTTF<sub>d</sub></b>	1100 years		
<b>Diagnostic Coverage DC</b>	99% (high)		
<b>Number of operating days per year</b>	d <sub>op</sub> = 365d		
<b>Number of operating hours per day</b>	h <sub>op</sub> = 24h		
<b>B10d</b>	not mechanical parts implemented		
<b>*Note: When the product is used differently from these assumptions (different load, operating frequency, etc.) the values must be adjusted accordingly.</b>			

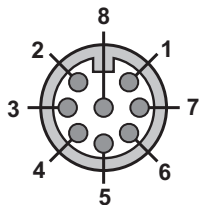
# IDEM Non-Contact RFID Locking Safety Switches

The MGL series RFID locking switches use two LEDs to indicate all the possible switch states. The LEDs are in a clearly visible location on either side of the cable exit point.

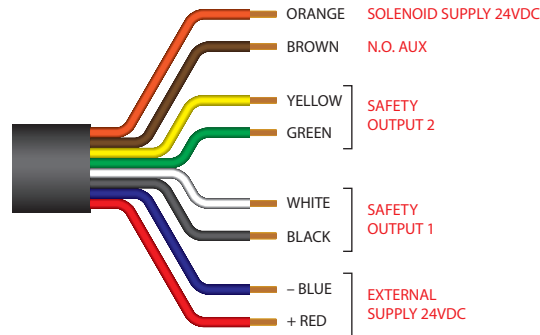
IDEM Non-Contact RFID Locking Switches LED Operation and Switch Status Indication			
Switch Status	Guard	Green LED	Yellow LED
<b>Locked</b>	Closed	Steady	Off
<b>Solenoid Power OFF (Unlocked)</b>	Closed	Flashing	Off
<b>Guard Open</b>	Open	Off	Steady
<b>Door Forced Open</b>	Open	Off	Flashing
<b>Wrong Actuator Code</b>	Closed	Flashing	Flashing



### Connection Colors



Pin View from Switch



IDEM Non-Contact RFID Locking Switches Wiring Diagram			
Quick Connect (QC) M12 8-way male plug	Conductor Colors	Function	Power Rating
8	Orange	Lock Applied (24VDC $\pm$ 10%)	500mA Max.
5	Brown	Auxiliary Signal	+24VDC
4	Yellow	Safety Output 2	200mA Max.
6	Green	Safety Output 2	
1	White	Safety Output 1	200mA Max.
7	Black	Safety Output 1	
3	Blue	0VDC	50mA Max.
2	Red	+ 24VDC $\pm$ 10%	