

A	PART NOS.	12-10-06	TTW
B	DIMENSIONS	28-02-07	TTW

## SPECIFICATIONS POTENTIOMETER P4504

Make: Novotechnik  
 Type: P4504-s0060  
 Part no: 54000019

### MECHANICAL DATA

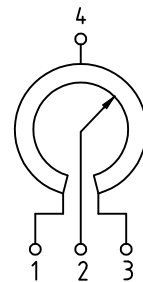
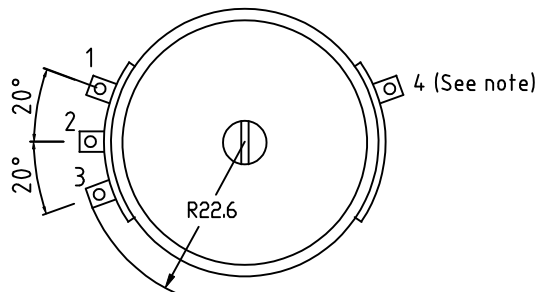
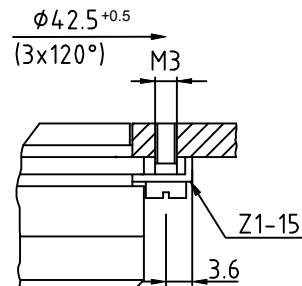
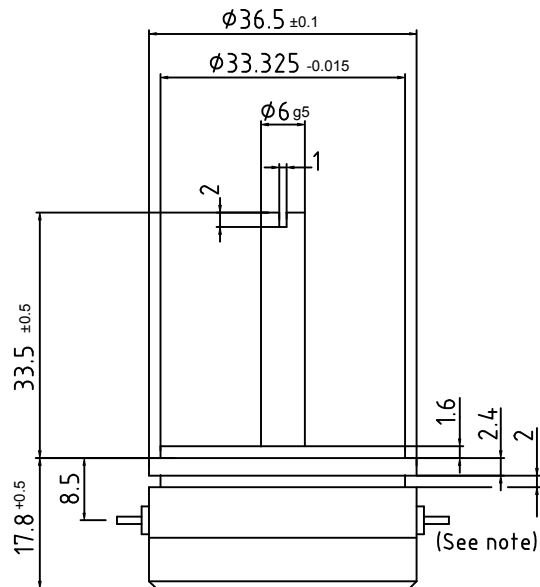
Mounting: servomount with 3 clamps (included)  
 Mechanical travel: 360° continuous  
 Permitted shaft load (axial and radial) static or dynamic force: 45 N  
 Torque: ≤ 0,1 Ncm  
 Maximum operational speed: 10000 rpm  
 Weight: 45 g

### ELECTRICAL DATA

Actual electrical travel: 350° (±2°)  
 Total resistance value: 2K0hm (± 20%)  
 Repeatability: 0.002% (0.007°)  
 Independent linearity: ± 0,075%  
 Max. permissible applied voltage: 42 V  
 Center tap position: ± 1% (± 1,75°) (See note)  
 Recommended operating wiper current: <1uA  
 Maximum wiper current in case of malfunction: 10mA  
 Insulation resistance (500VDC, 1bar, 2s): ≥10M0hm  
 Dielectric strenght (50Hz, 500VAC, 1bar, 2s): ≤100uA

### ENVIRONMENTAL DATA

Operating temperature range: -40°C/+100°C  
 Vibration: 5-2000Hz  
 Amax = 0,75mm  
 amax = 20g  
 Shock: 50g  
 11ms  
 Life: >100×10E6 rev.  
 Protection class: IP40

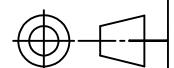


Schematic view on the shaft

DATASHEET POTENTIOMETERS P4504 SERIES

4A0110696

PROJ. METHODE



**KWANT CONTROLS**

KWANT CONTROLS B.V. SNEEK HOLLAND  
 HET AUTEURSRECHT WORDT VOORBEHOUDEN OVEREENKOMSTIG DE WET

WIJZ.

B

GET. TTW

D.D. 07-11-02 GEZ.

SCHAAL: 1:1

BLAD.