

Data sheet



KLEEdrive AC-motors

Motors, Pumps and Blowers > KLEEdrive AC-motors > KLEEdrive AC-motors



SKU:

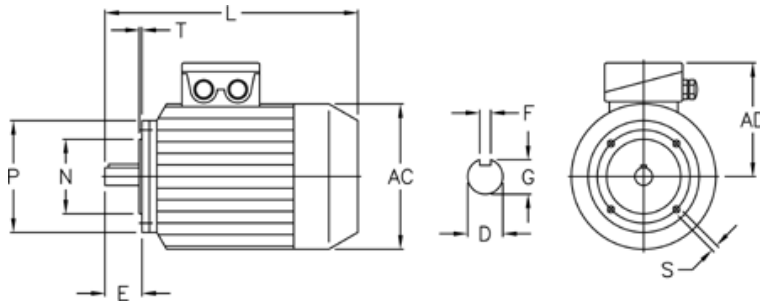
25055415009140

Description:

KLEEdrive asynkronmotor
MS713-4 0,55KW
1400 rpm 3x230/400 50 HZ
B14 Aluminium, CE/UL/CSA

<https://www.klee.dk/en/products/25055415009140>

Measurements



Product drawings and brochures of any kind may contain errors for which Brd. Klee A/S cannot be liable.

AC	=	147
AD	=	115
D	=	14
E	=	30
F	=	5
G	=	11
L	=	255
M	=	85
N	=	70
P	=	105
S	=	M6
Size	=	71
T	=	2.5