

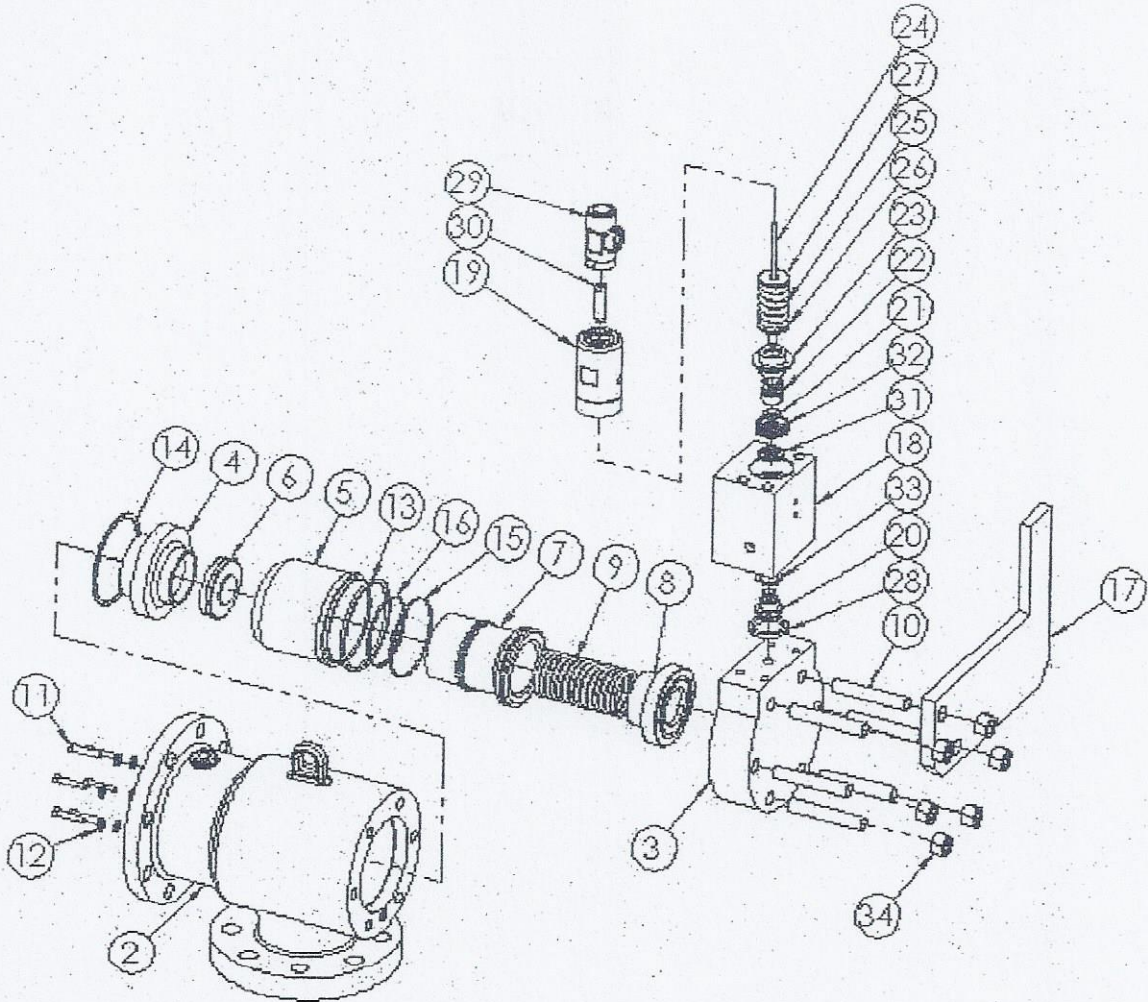


**JOKWANG**  
I.L.I. CO., LTD.

**OPERATION MANUAL**

JSV-PF71

DOC. NO.	JK-WIP-E-06
REV. NO.	0
DATE	2006.05.26
PAGE	12 of 13



[Fig.7] Assembly Drawing

M/V : Main Valve, P/V : Pilot Valve

PART No.	PART NAME	PART No.	PART NAME	PART No.	PART NAME
1		13	M/V Body Gasket	25	P/V Spring
2	M/V Body	14	M/V Seat Gasket	26	P/V Lower Spring Seat
3	M/V Cover	15	M/V Upper Piston Ring	27	P/V Upper Spring Seat
4	M/V Seat	16	M/V Lower Piston Ring	28	P/V Body Gasket
5	M/V Guide	17	Plate to fix Cylinder	29	P/V Cap
6	M/V Disc	18	P/V Body	30	P/V Adjustable Screw
7	M/V Disc Holder	19	P/V Cover	31	P/V Lower Ring
8	M/V Spring Seat	20	P/V Seat	32	P/V Upper Ring
9	M/V Spring	21	P/V Disc	33	P/V Seat Gasket
10	M/V Stud Bolt	22	P/V Disc Holder	34	M/V Nut
11	M/V Bolt for Seat	23	P/V Guide		
12	NODE LOCK	24	P/V Valve Stem		