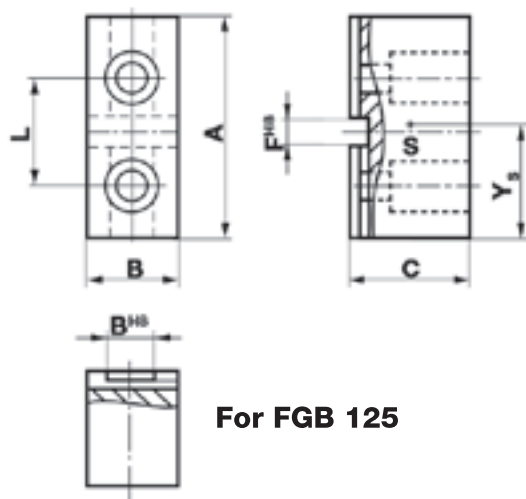
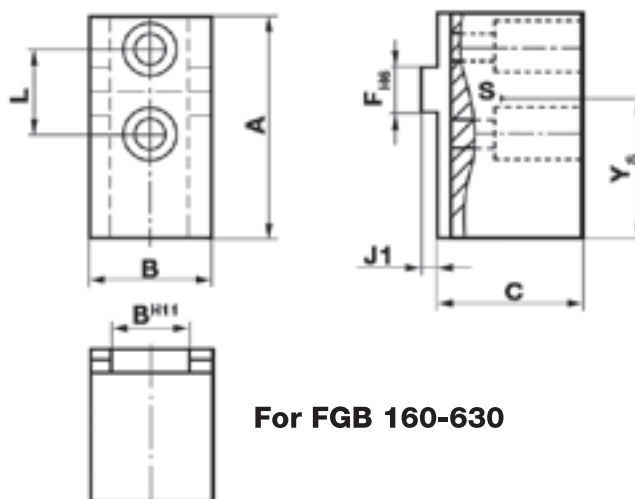




FWB soft jaws are used for precision gripping of previously machined workpieces which must not be damaged on the gripped surface. These jaws are suitable for light cutting and are turned and ground to suit the shape of the workpiece in the chuck under gripping force. Turned FWB top jaws maintain their precision as long as they are not removed from the base jaw they were ground in.



For FGB 125



For FGB 160-630

Chuck Size	Jaw Style	Nominal Dimension			Part No.	F	J1	L	Ys	Weight Per Jaw (kg)
		A	B	C						
175	160	85	20	35	D1070016525	18	4,5	32	43	0,40
200	200	105	25	40	D1070021525	20	5	40	53	0,66
250	250	125	30	55	D1070026425	20	5	40	63,5	1,34
315	250	125	30	55	D1070026425	20	5	40	63,5	1,34
400	315	145	50	54	D1070033425	26	6	54	73,7	2,04
500	400	180	50	80	D1070038425	30	7	60	86,7	4,16
630	400	180	50	80	D1070038425	30	7	60	86,7	4,16

Forkardt offers a wide variety of specially machined top tooling, as well as standard style jaws such as roughing jaws. Please contact our sales office for more information.