



JK3000A2I

Isolated process analog transmitters JK3000A2I are designed to transmit a signal and duplicate it with a short response time and an isolation of the input and the 2 outputs.

This transmitters range is designed in JM Concept unit unplugged from its rail DIN base.

Use of components that are efficient in a wide temperature ensures a very high level of reliability and very low thermal drift.



JM Concept
une vision d'avance

18 chemin des Tard-Venus - BP37 - F69530 BRIGNAIS - FRANCE
Tel : 33 (0)4 72 318 318 - Fax : 33(0)4 72 318 311
mail : jmc@jmconcept.com - site : www.jmconcept.com

JK3000A2I

JK3000A2I is a transmitter with 1 process input, 2 isolated outputs with a very short transfer time of the signal (< 100µs).

JK3000A2I : TECHNICAL CHARACTERISTICS

INPUT CHARACTERISTICS

CURRENT (DC)	0/20 mA ; 4/20 mA
VOLTAGE (DC)	0/100mV ; 0/10V ; +/-10V
SENSOR POWER SUPPLY (DC)	2 or 3 wires sensor - Sensor power supply 24Vdc-22mA max

OUTPUTS CHARACTERISTICS

SORTIE 1 ET 2 EN COURANT	0/20mA 4/20mA
SORTIE 1 ET 2 EN TENSION	0/10V

OTHERS CHARACTERISTICS

INPUT INPEDENCE

Current input	4.75Ω
voltage input	>10MΩ

OUTPUT INPEDENCE

Current output 1 and 2	< 900Ω
Voltage output 1 and 2	> 4.7KΩ

SENSOR

Sensor power supply	U < 24Vdc - I < 22mA
---------------------	----------------------

ISOLATION

Power supply/ Input/ Output 1/ Output 2	2500Vac - 1mn - 50Hz
Input/ Output 1/ Output 2	2500Vac - 1mn - 50Hz
Output 1/ Output 2	2500Vac - 1mn - 50Hz

AUXILIARY SOURCE

Universal Auxiliary source	20Vdc/370Vdc & 80Vac/256Vac
Option	20Vac/60Vac

GENERAL CHARACTERISTICS

Precision class	0.1
Current output residual ripple	< 20µA
Voltage output residual ripple	< 20mV
Response time	< 100µs
Dérive thermique	< 50ppm

CONSUMPTION

Maximal consumption	< 4VA
---------------------	-------

TEMPERATURE

Operating temperature	-10°C / +60°C
Storage temperature	-25°C / +80°C

PROTECTION INDEX

IP20

CASE

Self extinguishable black polyamide ULV0



JK3000A2I : OPTIONS REFERENCES

OPTIONS	PRODUCT CODE
22,5mm case Varnish option	JK3000A2I-T
Power supply option 20Vac / 60Vac	JK3009A2I

SWITCHES CONFIGURATION

INPUT SWITCHES CONFIGURATION

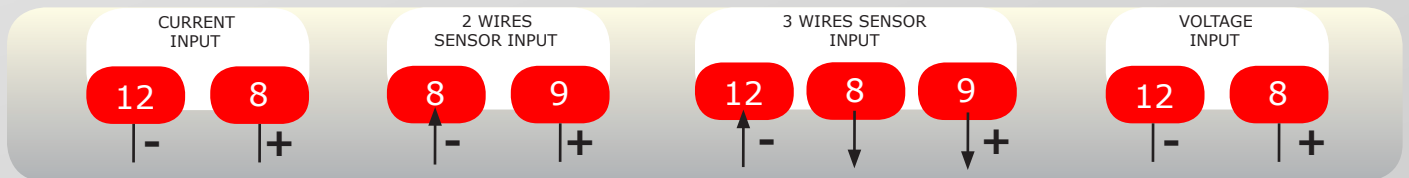
INPUT SWITCH	1	2	3	4	5	6	7
0/100 mV		●		●		●	
0/10V				●		●	●
+/-10V		●			●		
0/20mA	●	●		●		●	
4/20mA	●	●	●			●	

OUTPUT 2 SWITCHES CONFIGURATION

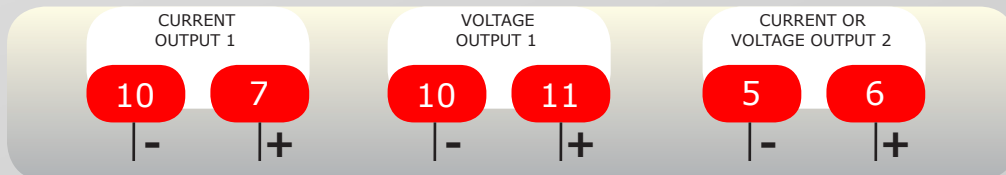
OUTPUT 2 SWITCH	1	2	3	4
Current 0/20mA	●			
Current 4/20mA	●			
Voltage 0/10V		●		

JK3000A2I : WIRING

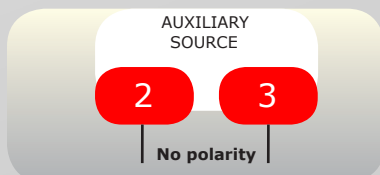
INPUT WIRINGS



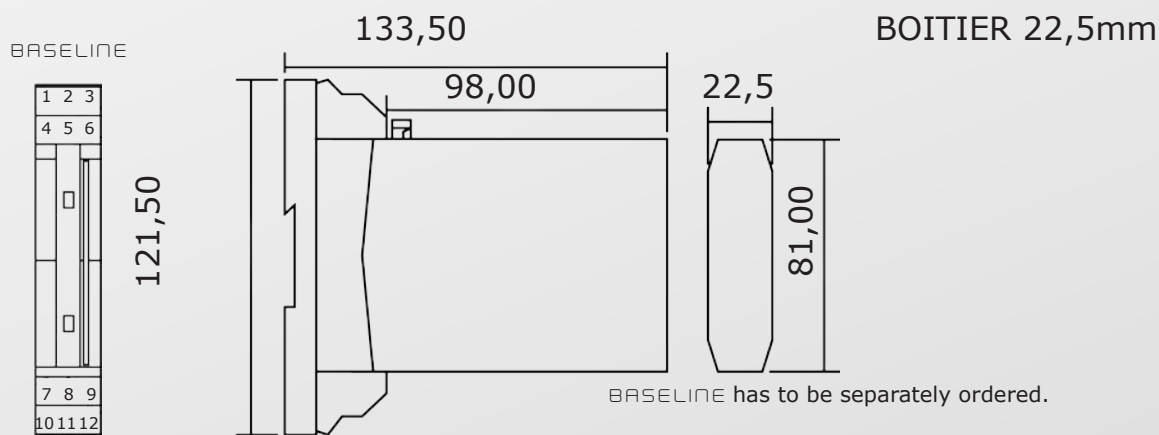
OUTPUTS WIRINGS



AUXILIARY POWER SUPPLY WIRING



DIMENSIONS AND TERMINALS



REGLAGE DES JK3000A2I

- On the front face, output 1 is pointed S1, output 2 is pointed S2
- Outputs are independant from each others, the begining and the end of scale of each output can be separatly adjusted.

Input and outputs selection :

- Select with the input switch, chosen input type.
- Select with the output switch (for JK3000A2 & JK3000A2I), chosen output type.

Adjustment principle :

- Wire on input terminals, a current or voltage generator according to used input type.
- Wire on output terminals to adjust, a multimeter in current or in voltage, according to chosen output.
- With generator, generate signal corresponding to input signal low value.
- Adjust with potentiometer called « OFFSET » bottom output scale.
- With generator, generate signal corresponding to input signal high value.
- Adjust with potentiometer « SCALE » top output scale.

Start again successively these 2 operations as much as it is necessary until you have low and high right scale values.

JK3000A1 & JK3000A2 : FACTORY SET UP

Input	4/20mA
Output 1	4/20mA
Output 2	4/20mA