

40watt

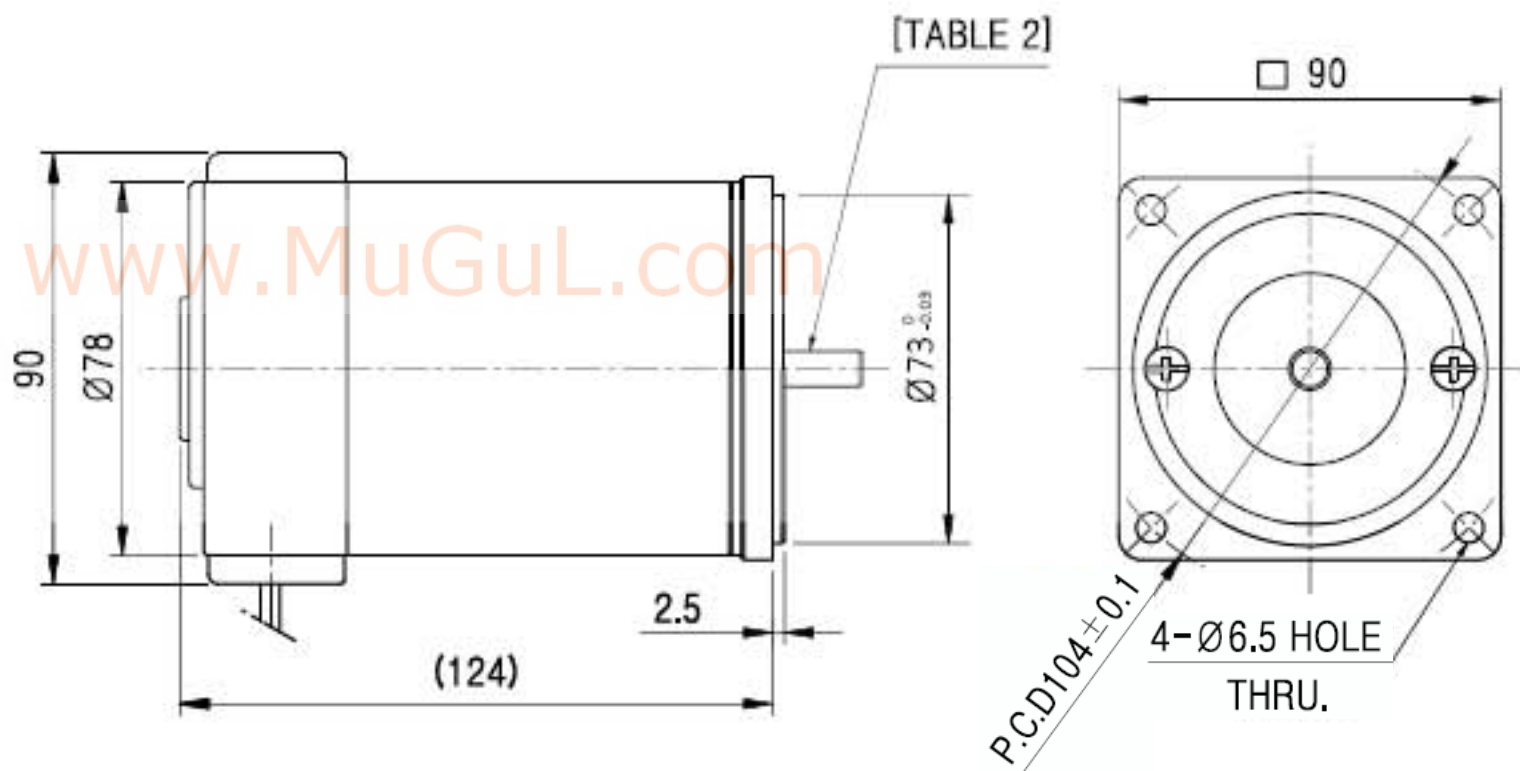


Standard Features

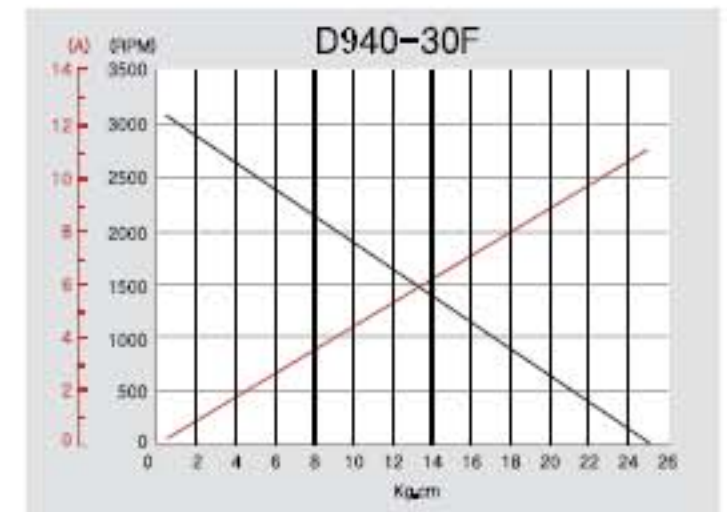
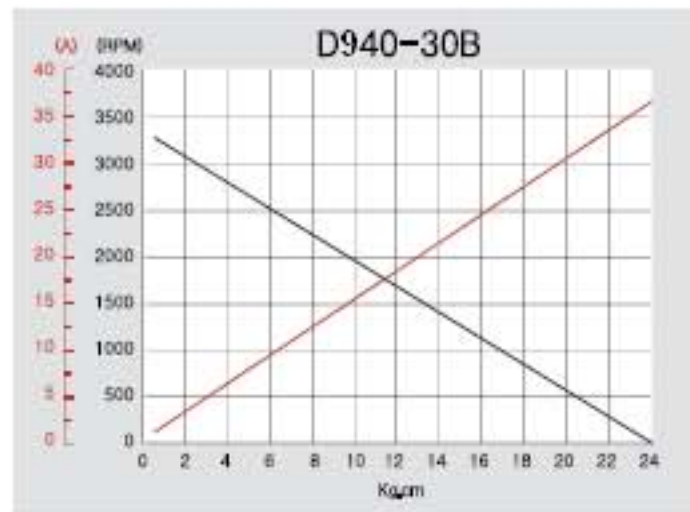
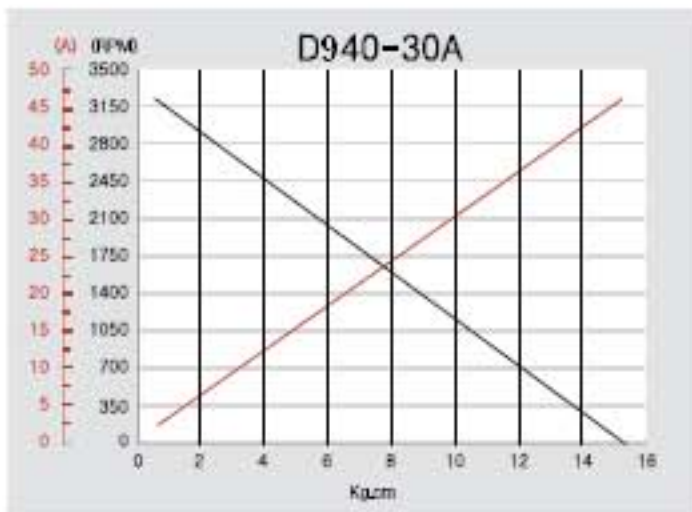
- Adjustable speed and high starting torque
- Replaceable brushes
- Different voltage and speed ratings available
- Models with accessory shaft for mounting a brake, encoder or double ended motor shaft
- Special making as per customer requirement is possible



Typical outline drawing



Performance curve



Specification

| MODEL NO. | Voltage (V) | No Load | | Rated Load | | | Stall | | |
|-----------|----------------|------------------|----------------|---------------|------------------|--------------------|----------------|--------------------|----------------|
| | | Speed (r/min) | Current (A) | Output (W) | Speed (r/min) | Torque (kgf-cm) | Current (A) | Torque (kgf-cm) | Current (A) |
| D940-30A | 12 | 3300 | 1.5 | 40 | 3000 | 1.3 | 4.8 | 15 | 47 |
| D940-30B | 24 | 3250 | 0.6 | 40 | 3000 | 1.3 | 1.9 | 23 | 37 |
| D940-30F | 90 | 3400 | 0.03 | 40 | 3000 | 1.3 | 0.6 | 24 | 1.5 |

□90mm
D9HK□□□

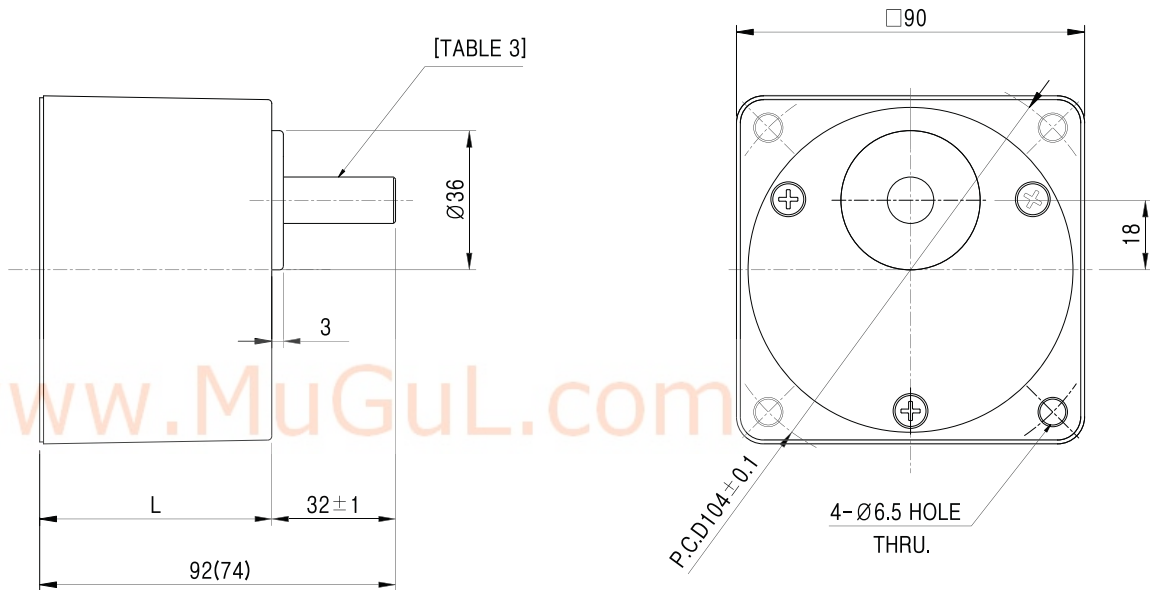


Standard Features

- High Precision, High Efficiency and High Reliability
- Wider varieties for gear ratios and shaft arrangements
- Special making as per customer requirement is possible



Typical outline drawing



| Gear Ratio | L |
|------------|----|
| 3 ~ 18 | 42 |
| 20 ~ 250 | 60 |

Specification

PERMISSIBLE OVERHUNG LOAD AND PERMISSIBLE THRUST LOAD

| Model | Gear Ratio | Permissible overhung load kgf | Permissible thrust load kgf |
|----------------------------|------------|-------------------------------|-----------------------------|
| D9HK □ D9HD □ D9HS □ | 3 ~ 18 | 30 | 10 |
| | 20 ~ 200 | 37 | |

Maximum permissible torque

UNIT=kgf · cm

| Gear Ratio / Model | 3 | 3.6 | 5 | 6 | 7.5 | 9 | 10 | 12.5 | 15 | 18 | 20 | 25 |
|--------------------|------|------|------|-----|-----|-----|-----|------|-----|-----|-----|-----|
| D960-30 □ | 54.2 | 65.0 | 90.3 | 100 | 100 | 100 | 100 | 100 | 100 | 100 | 100 | 100 |
| D990-30 □ | 82.7 | 99.2 | 100 | 100 | 100 | 100 | 100 | 100 | 100 | 100 | 100 | 100 |

| Gear Ratio / Model | 30 | 36 | 40 | 50 | 60 | 75 | 90 | 100 | 120 | 150 | 180 | 200 |
|--------------------|-----|-----|-----|-----|-----|-----|-----|-----|-----|-----|-----|-----|
| D960-30 □ | 100 | 100 | 100 | 100 | 100 | 100 | 100 | 100 | 100 | 100 | 100 | 100 |
| D990-30 □ | 100 | 100 | 100 | 100 | 100 | 100 | 100 | 100 | 100 | 100 | 100 | 100 |

Rotation Direction Output shaft in Gearbox

Rotation Direction as per

| Gear Ratio / Model | 3 | 3.6 | 5 | 6 | 7.5 | 9 | 10 | 12.5 | 15 | 18 | 20 | 25 | 30 | 36 | 40 | 50 | 60 |
|--------------------|---|-----|---|---|-----|---|----|------|----|----|----|----|----|----|----|----|----|
| □90mm | | | | | | | | | | | | | | | | | |

■ The same direction with motor ■ The reverse direction with motor

KEY TYPE

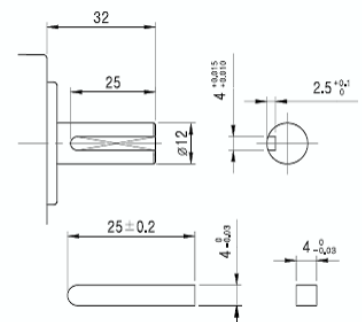


TABLE:3

model: □ 90mm